



HAWK

WCPS-CH, WCPS-B, WCPS-FB Series 50/60Hz

Water Cooled Packaged Units

Cooling Capacity: 18 to 1398 MBH (5 to 410 kW)



WCPS-CH



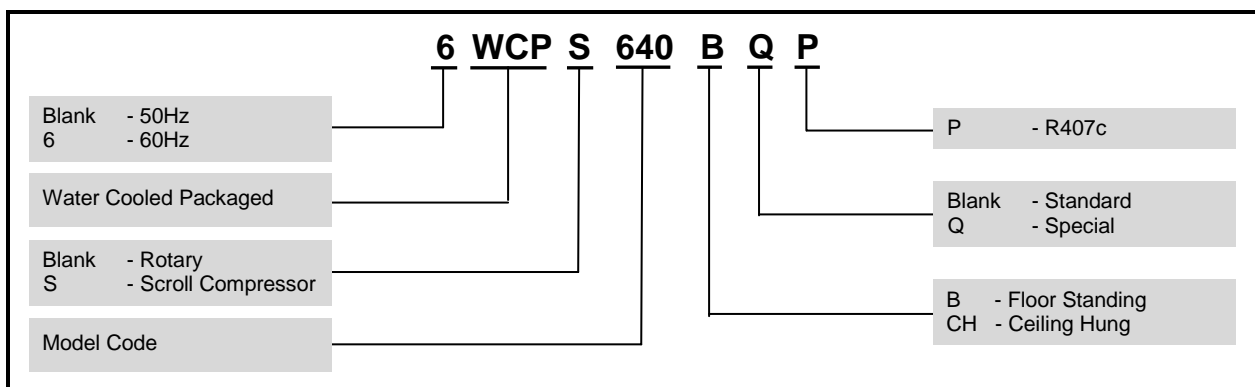
WCPS-B



DUNHAM-BUSH®

Products that perform...By people who care

NOMENCLATURE



WATER COOLED PACKAGE UNITS

GENERAL DESCRIPTION

The WCPS-B/CH series with new features is suitable for hotel, office, hospital, schools, factory and supermarket applications. The unit is designed to meet the owners, consultants and contractors requirement of efficient, quiet and dependable performance. The low noise and compact series are completely leak tested, evacuated, dehydrated and pre-charged with refrigerant so that it is ready for connection when reached the site.

Scroll Compressor(s)

Reliability

- ✦ No contact scroll design that minimizes friction, increases volumetric efficiency and reduces vibration, thus longer service life
- ✦ Suction gas cooled motor

Low Power Consumption:

- ✦ High EER
- ✦ No crankcase heater required



Tandem Compressor

(WCPS 570B and above)

For model with 3 compressors system and above, two compressors are connected in tandem, thus reducing the number of condenser water inlet/outlet connection.



Multiple Compressors

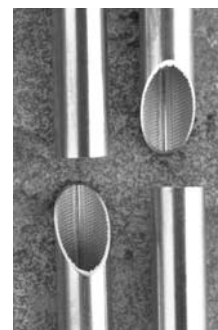
(WCPS 250B and above)

- ✦ By cycling off compressor(s) operation to match building load, no energy is being wasted when room load requires lesser cooling capacity

- ✦ No total shut down when servicing or repairing a faulty compressor

Cleanable Shell and Tube Condenser

- ✦ Multiple 3/4" O.D. copper finned tubes with 25 to 30% more surface area ensure better heat transfer
- ✦ Integral subcooling circuit to maximize efficiency
- ✦ Provided with fusible plug for safety purpose
- ✦ Leak and pressure tested to 450 psig. The maximum water in temperature is 100°F. Select option for adjustable high pressure switch for water in temperature 95-100°F. Consult factory for higher water in temperature.



Fully Leak Tested Refrigerant Circuit

- ✦ Leak and pressure tested at 450 psig
- ✦ Pressure ports are provided on the discharge, liquid and suction line
- ✦ Evacuated, dehydrated and charged with refrigerant

Efficient Evaporator Coil

- ✦ Independent thermal expansion valve with external equalizer for better refrigerant control and wider load condition and for (WCPS 56CH and below) shall be capillary tube
- ✦ Leak and pressure tested to 450 psig
- ✦ Evacuated, dehydrated and charged with refrigerant

Safety Components

(WCPS 46CH and above; WCPS-B Series)

- ✦ High-low pressure cutout for model to protect compressor from high discharge pressure and system leakage
- ✦ Liquid line sight glass and filter drier for refrigerant line components

WATER COOLED PACKAGE UNITS

Drive Package and Blowers

(WCPS 68CH and above; WCPS 108B and above)

- ✿ Belt driven drive package offers flexibility on various air flow rate and various static pressure applications
- ✿ Single large diameter double inlet double width blowers (AMCA certified) reduce the noise level and eliminates the need for common transition and eliminates air unbalance



Casing

- ✿ Constructed of electro galvanized steel sheet and insulated with 1/2" thick x 1 1/2 lb per cu.ft linacoustic fiberglass
- ✿ Aesthetically coated with powder paint to provide excellent finish, weatherability and corrosion resistance
- ✿ Removable panels on the left and right hand side of the unit to provide access to critical parts and components

Filters

Side loading 1" thick filters - from both sides-thus eliminates unnecessary duct opening at site.

Optional Accessories Features

- ✿ Factory wired starters
 - DOL for compressors and fan motors
 - Soft Starter for compressors (External control box may be required, please request GA from factory)
- ✿ Suction stop valve(s), discharge stop valve(s) and liquid stop valve(s)
- ✿ Thermostat
- ✿ Hydrophilic aluminum fins or copper fins or DB-Coat for better corrosion resistance
- ✿ Hot gas by pass for low load conditions
- ✿ Electric heaters (Unit dimension may be different, please request GA from factory)
- ✿ 24VAC control
- ✿ Indicating light
- ✿ Main incoming isolator
- ✿ Microprocessor controlled (Micro Vision)
- ✿ Direct drive air foil
- ✿ Pressure gauge for Suction & Discharge
- ✿ Liquid line solenoid valve
- ✿ SS304 Drain Pan
- ✿ Adjustable High & Low Pressure Switch (for water in temperature higher than 95°F)
- ✿ For other options, please refer our Dunham Bush Selection Software.

PORTFOLIO

WCPS-CH

Reference	Hz	Capacity	
		MBH	kW
WCP 18CH	50 / 60	17.5	5.1
WCP 24CH	50 / 60	23.3	6.8
WCP 28CH	50 / 60	27.1	8.0
WCP 32CH	50 / 60	31.0	9.1
WCP 35CH	50 / 60	33.9	9.9
WCPS 46CH	50 / 60	44.6	13.1
WCPS 56CH	50 / 60	54.3	15.9
WCPS 68CH	50 / 60	62.4	18.3
WCPS 81CH	50 / 60	72.0	21.1
WCPS 95CH	50 / 60	82.6	24.2
WCPS 108CH	50 / 60	95.9	28.1
WCPS 125CH	50 / 60	112.3	32.9
WCPS 145CH	50 / 60	131.7	38.6
WCPS 160CH	50 / 60	142.6	42.8
WCPS 190CH	50 / 60	166.2	48.7
WCPS 220CH	50 / 60	203.0	59.5
WCPS 250CH	50 / 60	232.0	68.0
WCPS 290CH	50 / 60	262.7	77.0

WCPS-B

Reference	Hz	Capacity	
		MBH	kW
WCPS 68B	50	62.4	18.3
WCPS 81B	50 / 60	72.0	21.1
WCPS 95B	50 / 60	82.6	24.2
WCPS 108B	50 / 60	95.9	28.1
WCPS 125B	50 / 60	112.3	32.9
WCPS 145B	50 / 60	131.7	38.6
WCPS 160B	50 / 60	142.6	41.8
WCPS 190B	50 / 60	166.2	48.7
WCPS 220B	50 / 60	203.0	59.5
WCPS 250B	50 / 60	232.0	68.0
WCPS 290B	50 / 60	262.7	77.0
WCPS 320B	50 / 60	290.7	85.2
WCPS 380B	50 / 60	345.3	101.2
WCPS 435B	50 / 60	400.2	117.3
WCPS 480B	50 / 60	438.8	128.6
WCPS 510B	50 / 60	466.8	136.8
WCPS 570B	50 / 60	522.7	153.2
WCPS 640B	50 / 60	601.6	176.3
WCPS 700B	50 / 60	645.6	189.2
WCPS 760B	50 / 60	697.8	204.5
WCPS 800B	50 / 60	742.8	217.6
WCPS 860B	50 / 60	783.1	229.4
WCPS 950B	50 / 60	857.1	251.1
WCPS 1140B	50 / 60	1074.1	314.7
WCPS 1340B	50 / 60	1249.2	366.0
WCPS 1520B	50 / 60	1398.0	409.6

Notes: 1.) Ratings Are Gross Capacities - For net capacities, deduct evaporator blower motor heat.
 2.) Cooling Mode: At 80 °F (DB), 67 °F (WB) Air on Evaporator And 95°F Ambient Condenser Water Leaving Temperature.

PHYSICAL SPECIFICATIONS



WCPS-CH (50Hz)

Model	Compressor				Cond. Min-Max Usgpm	Blower Section							Evaporator Coil		Approx. Refrigerant Charge	Approx. Operating Weight (lbs)
	Qty	Nominal Power Supply	LRA	NRA		Blower			Motor			Fan Air Flow	Rows	Total Face Area ft ²	Comp. Qty x lbs	
						Type of Drive	Qty	Dia x Width inches	Max HP	FLA	LRA	Min - Max CFM				
WCP 18CH	1	230V-1-50Hz	1x36	1x7.7	4 9	Direct	1	9x7	0.25	1.4	-	450 850	3	1.9	1x4.8	220
WCP 24CH	1	230V-1-50Hz	1x49	1x8.9	5 12	Direct	1	9x7	0.33	2.6	-	600 1100	3	2.2	1x5.1	300
WCP 28CH	1	230V-1-50Hz	1x60	1x10.4	6 15	Direct	1	9x7	0.33	2.6	-	700 1200	3	2.6	1x5.5	300
WCP 32CH	1	400V-3-50Hz	1x62	1x12.1	6 15	Direct	1	10x8	0.33	3.3	-	900 1300	3	3.0	1x5.7	320
WCP 35CH	1	400V-3-50Hz	1x62	1x12.1	8 16	Direct	1	10x8	0.5	4.5	-	1000 1500	3	3.0	1x5.8	320
WCPS 46CH	1	400V-3-50Hz	1x45	1x6.8	10 20	Direct	1	10x10	0.5	4.5	-	1300 1800	3	4.0	1x6.2	440
WCPS 56CH	1	400V-3-50Hz	1x56	1x8.2	12 22	Direct	1	10x10	0.75	5.6	-	1500 1900	4	4.0	1x7.0	480
WCPS 68CH	1	400V-3-50Hz	1x45	1x9.3	15 25	Belt	1	10x10	1.5	2.8	15.4	1700 2900	3	5.3	1x7.7	650
WCPS 81CH	1	400V-3-50Hz	1x101	1x8.8	15 30	Belt	1	10x10	4.0	6.4	41.7	1900 3000	4	6.3	1x8.8	800
WCPS 95CH	1	400V-3-50Hz	1x95	1x10.0	20 40	Belt	1	12x12	4.0	6.4	41.7	2800 4200	3	7.2	1x12.1	928
WCPS 108CH	1	400V-3-50Hz	1x114	1x11.1	22 45	Belt	1	12x12	4.0	6.4	41.7	3000 4600	3	8.4	1x13.2	974
WCPS 125CH	1	400V-3-50Hz	1x125	1x12.8	22 45	Belt	1	12x12	4.0	6.4	41.7	3000 4600	4	8.3	1x14.3	974
WCPS 145CH	1	400V-3-50Hz	1x125	1x16.2	25 45	Belt	1	12x12	4.0	6.4	41.7	3300 5300	4	9.2	1x17.0	1150
WCPS 160CH	1	400V-3-50Hz	1x167	1x16.3	30 50	Belt	1	12x12	5.5	8.3	56.4	3400 5500	4	9.2	1x19.6	1497
WCPS 190CH	1	400V-3-50Hz	1x198	1x20.0	35 65	Belt	1	15x15	7.5	11.3	77.5	3500 6000	4	10.1	1x21.8	1740
WCPS 220CH	2	400V-3-50Hz	1x95 1x125	1x10.0 1x12.8	45 80	Belt	1	18x18	7.5	11.3	77.5	4300 7200	4	12.1	1x12.1 1x14.3	1978
WCPS 250CH	2	400V-3-50Hz	2x125	2x12.8	50 90	Belt	1	18x18	10	14.9	98.8	5100 9000	3	15.4	2x14.3	2241
WCPS 290CH	2	400V-3-50Hz	2x125	2x16.2	60 100	Belt	1	18x18	10	14.9	98.8	5600 9200	4	15.4	2x17.0	2465

60Hz

6WCP 18CH	1	230V-1-60Hz	1x39	1x7.6	4 9	Direct	1	9x7	0.2	1.9	-	450 850	3	1.9	1x4.8	220
6WCP 24CH	1	230V-1-60Hz	1x56	1x9.6	5 12	Direct	1	9x7	0.2	1.8	-	600 1100	3	2.2	1x5.1	300
6WCP 28CH	1	230V-1-60Hz	1x56	1x11.0	6 15	Direct	1	9x7	0.2	1.8	-	700 1200	3	2.6	1x5.5	300
6WCP 32CH	1	230V-1-60Hz	1x70	1x13.1	6 15	Direct	1	10x8	0.6	4.1	-	900 1300	3	3.0	1x5.7	320
6WCP 35CH	1	230V-1-60Hz	1x70	1x13.1	8 16	Direct	1	10x8	0.8	4.8	-	1000 1500	3	3.0	1x5.8	320
6WCPS 46CH	1	230V-1-60Hz	1x140	1x15.5	10 20	Direct	1	10x10	0.8	5.0	-	1300 1800	3	4.0	1x6.2	440
6WCPS 56CH	1	230V-1-60Hz	1x51	1x5.4	12 22	Direct	1	10x10	1.0	7.1	-	1500 1900	4	4.0	1x7.0	480
6WCPS 68CH	1	460V-3-60Hz	1x55	1x6.7	15 25	Belt	1	10x10	1.5	2.2	14.5	1700 2900	3	5.3	1x7.7	650
6WCPS 81CH	1	460V-3-60Hz	1x72	1x7.7	15 30	Belt	1	10x10	4.0	5.2	42.5	1900 3000	4	5.3	1x8.8	800
6WCPS 95CH	1	460V-3-60Hz	1x101	1x9.6	20 40	Belt	1	12x12	4.0	5.2	42.5	2800 4200	3	7.2	1x12.1	928
6WCPS 108CH	1	460V-3-60Hz	1x95	1x11.1	22 45	Belt	1	12x12	4.0	5.2	42.5	3000 4600	3	8.4	1x13.2	974
6WCPS 125CH	1	460V-3-60Hz	1x114	1x12.2	22 45	Belt	1	12x12	4.0	5.2	42.5	3000 4600	4	8.3	1x14.3	974
6WCPS 145CH	1	460V-3-60Hz	1x125	1x13.8	25 45	Belt	1	12x12	4.0	5.2	42.5	3300 5300	4	9.2	1x17.0	1150
6WCPS 160CH	1	460V-3-60Hz	1x125	1x15.4	30 50	Belt	1	12x12	5.5	7.4	52.5	3400 5500	4	9.2	1x19.6	1497
6WCPS 190CH	1	460V-3-60Hz	1x167	1x16.0	35 65	Belt	1	15x15	7.5	9.5	67.5	3500 6000	4	10.1	1x21.8	1740
6WCPS 220CH	1	460V-3-60Hz	1x198	1x20.0	45 80	Belt	1	18x18	7.5	9.5	67.5	4300 7200	4	12.1	1x21.8	1978
6WCPS 250CH	2	460V-3-60Hz	1x125 1x95	1x13.8 1x11.1	50 90	Belt	1	18x18	10	11.9	85.0	5100 9000	3	15.4	2x14.3	2241
6WCPS 290CH	2	460V-3-60Hz	2x125	2x13.8	60 100	Belt	1	18x18	10	11.9	85.0	5600 9200	4	15.4	2x17.0	2465

- Notes: 1) NRA = Nominal Running Ampere.
 2) LRA = Locked Rotor Ampere.
 3) FLA = Full Load Ampere.
 4) Minimum-maximum voltage is 230V ± 10%, 400V ± 10%, 460V ± 10%.
 5) For other power supply requirements, please contact the Dunham-Bush sales office.



Product that perform...By people who care

PHYSICAL SPECIFICATIONS



WCPs-B (50Hz)

Model	Compressor					Condenser Min-Max Usgpm	Blower Section					Evaporator Coil		Air Filter Size Inches (Qty)	Approx. Refrigerant Charge Comp. Qty x lbs	Approx. Unit Weight lbs
	Qty	Nom. Power Supply	MRA	LRA	NRA		Standard Size (Qty)	Motor Max HP (Qty)	FLA	LRA	Fan Air Flow Min-Max CFM	Face Area ft ²	Row/ FPI			
WCPS 68B	1	400V-3-50Hz	29.0	172.0	18.6	7 24	10x10 (1)	1.0(1)	7.6	-	-	5.2	3/12	16x25(1) 20x25(1)	1x7.7	635
WCPS 81B	1	400V-3-50Hz	17.0	101.0	10.9	8 29	12x12 (1)	1.0(1)	7.6	-	-	5.7	3/12	16x25(1) 20x25(1)	1x8.8	762
WCPS 95B	1	400V-3-50Hz	23.0	95.0	14.7	9 33	12x12 (1)	1.0(1)	7.6	-	-	6.1	3/12	16x25(1) 20x25(1)	1x12.1	840
WCPS 108B	1	400V-3-50Hz	24.2	111.0	15.5	11 38	12x12 (1)	3.0(1)	4.8	38	1980 3630	6.6	3/12	16x16(2) 16x20(2)	1x13.2	975
WCPS 125B	1	400V-3-50Hz	26.9	118.0	17.2	13 44	12x12 (1)	4.0(1)	6.8	40.6	2250 4125	7.6	3/12	16x16(2) 16x20(2)	1x14.3	1350
WCPS 145B	1	400V-3-50Hz	31.0	118.0	19.9	15 55	12x12 (1)	4.0(1)	6.8	40.6	2380 4355	7.6	3/12	16x16(2) 16x20(2)	1x17.0	1368
WCPS 160B	1	400V-3-50Hz	35.0	140.0	22.4	16 56	12x12 (1)	4.0(1)	6.8	40.6	2380 4355	11.3	3/13	16x25(2) 20x25(2)	1x19.6	1397
WCPS 190B	1	400V-3-50Hz	1x42.0	1x174	1x26.9	19 67	15x15 (1)	7.5(1)	8.2	50.5	3970 7270	12.0	3/12	16x25(2) 20x25(2)	1x21.8	1750
WCPS 220B	2	400V-3-50Hz	1x23.0 1x26.9	1x95 1x118	1x14.7 1x17.2	22 76	15x15 (1)	7.5(1)	8.2	50.5	4600 8440	14.9	3/12	16x20(2) 16x25(4)	1x13.2 1x14.3	1880
WCPS 250B	2	400V-3-50Hz	2x26.9	2x118	2x17.2	25 88	15x15 (1)	7.5(1)	10.9	68.6	4960 9090	15.8	3/14	16x20(1) 16x25(2) 20x20(1) 20x25(2)	2x14.3	1980
WCPS 290B	2	400V-3-50Hz	2x31.0	2x118	2x19.9	29 100	18x13 (1)	15(1)	19.9	129.1	6020 11040	19.5	3/13	20x20(1) 20x25(3) 25x25(2)	2x17.0	2375
WCPS 320B	2	400V-3-50Hz	2x35.0	2x140	2x22.4	32 112	18x13 (1)	15(1)	19.9	129.1	6375 11690	20.5	3/14	20x20(1) 20x25(3) 25x25(2)	2x19.6	2700
WCPS 380B	2	400V-3-50Hz	2x42.0	2x174	2x26.9	38 133	18x18 (1)	15(1)	37.2	176	6375 11690	20.5	4/12	20x20(1) 20x25(3) 25x25(2)	2x21.8	3150
WCPS 435B	3	400V-3-50Hz	3x31.0	3x118	3x19.9	45 156	18x18 (1)	20(1)	37.2	176	7080 13000	23.6	4/12	20x25(2) 25x25(4)	3x17.0	3372
WCPS 480B	3	400V-3-50Hz	3x35.0	3x140	3x22.4	48 168	500x500 (1)	20(1)	37.2	176	9000 16500	30.0	3/13	20x25(9)	1x19.6 1x39.2	4264
WCPS 510B	3	400V-3-50Hz	2x35.0 1x42.0	2x140 1x174	2x22.4 1x26.9	51 178	560x560 (1)	20(1)	37.2	176	9000 16500	30.0	3/14	20x25(9)	1x21.8 1x39.2	4264
WCPS 570B	3	400V-3-50Hz	3x42.0	3x174	3x26.9	57 200	560x560 (1)	20(1)	37.2	176	9000 16500	30.0	4/12	20x25(9)	1x21.8 1x43.6	4640
WCPS 640B	4	400V-3-50Hz	4x35.0	4x140	4x22.4	64 224	560x560 (1)	30(1)	40.1	243.7	10800 19800	28.8	4/12	25x25(9)	2x39.2	6260
WCPS 700B	4	400V-3-50Hz	2x35.0 2x42.0	2x140 2x174	2x22.4 2x26.9	70 245	560x560 (1)	30(1)	40.1	243.7	11500 21200	30.3	4/12	20x25(12)	1x39.2 1x43.6	6300
WCPS 760B	4	400V-3-50Hz	4x42.0	4x174	4x26.9	76 266	630x630 (1)	30(1)	40.1	243.7	12200 32340	32.5	4/12	20x25(12)	2x43.6	6521
WCPS 800B	5	400V-3-50Hz	5x35.0	5x140	5x22.4	80 280	630x630 (1)	40(1)	52.7	338.5	16150 29620	40.5	3/12	16x20(2) 16x25(6) 20x25(2) 25x25(6)	1x19.6 2x39.2	6972
WCPS 860B	5	400V-3-50Hz	3x35.0 2x42.0	3x140 2x174	3x22.4 2x26.9	89 312	710x710 (1)	40(1)	52.7	338.5	16150 29620	30.0	3/12	16x20(2) 16x25(6) 20x25(2) 25x25(6)	1x19.6 1x39.2 1x43.6	7480
WCPS 950B	5	400V-3-50Hz	5x42.0	5x174	5x26.9	96 336	710x710 (1)	40(1)	52.7	338.5	16150 29620	40.5	4/10	16x20(2) 16x25(6) 20x25(2) 25x25(6)	1x21.8 2x43.6	7750
WCPS 1140B	6	400V-3-50Hz	6x42.0	6x174	6x26.9	114 399	560x560 (T)	50(1)	67.4	465	20000 36770	36.7	4/12	20x20(2) 20x25(10) 25x25(8)	3x43.6	8790
WCPS 1340B	8	400V-3-50Hz	6x35.0 2x42.0	6x140 2x174	6x22.4 2x26.9	134 469	560x560 (T)	50(1)	67.4	465	21200 38870	26.7	4/11	20x20(12) 20x25(10) 25x25(2)	3x39.2 1x43.6	9122
WCPS 1520B	8	400V-3-50Hz	8x42.0	8x174	8x26.9	152 532	560x560 (T)	50(1)	67.4	465	21200 38870	57.8	5/10	20x20(12) 20x25(10) 25x25(2)	4x43.6	9240

- Notes:
- 1) LRA = Locked rotor ampere.
 - 2) NRA = Nominal running ampere.
 - 3) FLA = Full load ampere.
 - 4) MRA = Maximum running ampere.
 - 5) Minimum-maximum voltage is 400V ± 10%.
 - 6) Filter is 1 inch thick.
 - 7) Blower for model WCPS 68B to 95B as direct driven.
 - 8) For other power supply requirements, please contact the Dunham-Bush sales office.

PHYSICAL SPECIFICATIONS



6WCPS-B (60Hz)

Model	Compressor					Condenser	Blower Section					Evaporator Coil		Air Filter	Approx. Refrigerant Charge Qty x lbs	Approx. Unit Weight lbs
	Qty	Nom. Power Supply	MRA	LRA	NRA	Min-Max Usgpm	Standard Size (Qty)	Motor Max HP (Qty)	FLA	LRA	Fan Air Flow Min-Max CFM	Face Area ft ²	Row/ FPI	Size Inches (Qty)		
6WCPS 81B	1	230V-1-60Hz	29.0	172.0	18.6	8 29	10x10 (1)	1.0(1)	7.6	-	-	5.7	3/12	16x25(1) 20x25(1)	1x7.7	762
6WCPS 95B	1	230V-1-60Hz	17.0	101.0	10.9	9 33	10x10 (1)	1.0(1)	7.6	-	-	6.1	3/12	16x25(1) 20x25(1)	1x8.8	840
6WCPS 108B	1	460V-3-60Hz	23.0	95.0	14.7	11 38	12x12 (1)	4.0(1)	4.8	38	2250 4125	6.6	3/12	16x16(2) 16x20(2)	1x12.1	1350
6WCPS 125B	1	460V-3-60Hz	24.2	111.0	15.5	13 44	12x12 (1)	4.0(1)	6.8	40.6	2250 4125	7.6	3/12	16x16(2) 16x20(2)	1x13.2	1350
6WCPS 145B	1	460V-3-60Hz	26.9	118.0	17.2	15 55	12x12 (1)	4.0(1)	6.8	40.6	2380 4355	7.6	4/12	16x16(2) 16x20(2)	1x14.3	1368
6WCPS 160B	1	460V-3-60Hz	31.0	118.0	19.9	16 56	12x12 (1)	4.0(1)	6.8	40.6	2380 4355	11.3	3/13	16x25(2) 20x25(2)	1x17.0	1397
6WCPS 190B	1	460V-3-60Hz	35.0	140.0	22.4	19 67	15x15 (1)	7.5(1)	8.2	50.5	3970 7270	12.0	3/12	16x25(2) 20x25(2)	1x19.6	1750
6WCPS 220B	1	460V-3-60Hz	1x42.0	1x174	1x26.9	22 76	15x15 (1)	7.5(1)	8.2	50.5	4600 8440	14.9	3/12	16x20(2) 16x25(4)	1x21.8	1880
6WCPS 250B	2	460V-3-60Hz	1x23.0 1x26.9	1x95 1x118	1x14.7 1x17.2	25 88	15x15 (1)	7.5(1)	10.9	68.6	4960 9090	15.8	3/14	16x20(1) 16x25(2) 20x20(1) 20x25(2)	1x12.1 1x14.3	1980
6WCPS 290B	2	460V-3-60Hz	2x26.9	2x118	2x17.2	29 100	18x13 (1)	15(1)	19.9	129.1	6020 11040	19.5	3/13	20x20(1) 20x25(3) 25x25(2)	2x14.3	2375
6WCPS 320B	2	460V-3-60Hz	2x31.0	2x118	2x19.9	32 112	18x13 (1)	15(1)	19.9	129.1	6375 11690	20.5	3/14	20x20(1) 20x25(3) 25x25(2)	2x17.0	2700
6WCPS 380B	2	460V-3-60Hz	2x35.0	2x140	2x22.4	38 133	18x18 (1)	15(1)	37.2	176	6375 11690	20.5	4/12	20x20(1) 20x25(3) 25x25(2)	2x19.6	3150
6WCPS 435B	2	460V-3-60Hz	2x42.0	2x174	2x26.9	45 156	18x18 (1)	20(1)	37.2	176	7080 13000	23.6	4/12	20x25(2) 25x25(4)	2x21.8	3372
6WCPS 480B	3	460V-3-60Hz	3x31.0	3x118	3x19.9	48 168	500x500 (1)	20(1)	37.2	176	9000 16500	30.0	3/13	20x25(9)	1x19.6 2x14.3	4264
6WCPS 510B	3	460V-3-60Hz	3x35.0	3x140	3x22.4	51 178	560x560 (1)	20(1)	37.2	176	9000 16500	30.0	3/12	20x25(9)	3x17.0	4264
6WCPS 570B	3	460V-3-60Hz	2x35.0 1x42.0	2x140 1x174	2x22.4 1x26.9	57 200	560x560 (1)	20(1)	37.2	176	9000 16500	30.0	4/12	20x25(9)	1x19.6 1x39.2	4640
6WCPS 640B	3	460V-3-60Hz	3x42.0	3x174	3x26.9	64 224	560x560 (1)	30(1)	40.1	243.7	10800 19800	28.8	4/12	25x25(9)	1x19.6 2x21.8	6260
6WCPS 700B	4	460V-3-60Hz	4x35.0	4x140	4x22.4	70 245	560x560 (1)	30(1)	40.1	243.7	11500 21200	30.3	4/12	20x25(12)	2x17.0 1x39.2	6300
6WCPS 760B	4	460V-3-60Hz	2x35.0 2x42.0	2x140 2x174	2x22.4 2x26.9	76 266	630x630 (1)	30(1)	40.1	243.7	12200 32340	32.5	4/12	20x25(12)	2x39.2	6521
6WCPS 800B	4	460V-3-60Hz	4x42.0	4x174	4x26.9	80 280	630x630 (1)	40(1)	52.7	338.5	16150 29620	40.5	3/12	16x20(2) 16x25(6) 20x25(2) 25x25(6)	1x19.6 1x21.8 1x39.2	6972
6WCPS 860B	4	460V-3-60Hz	4x35.0	4x140	4x22.4	89 312	710x710 (1)	40(1)	52.7	338.5	16150 29620	30.0	3/12	16x20(2) 16x25(6) 20x25(2) 25x25(6)	1x19.6 1x21.8 1x43.6	7480
6WCPS 950B	5	460V-3-60Hz	3x35.0 2x42.0	3x140 2x174	3x22.4 2x26.9	96 336	710x710 (1)	40(1)	52.7	338.5	16150 29620	40.5	4/10	16x20(2) 16x25(6) 20x25(2) 25x25(6)	1x12.1 1x39.2 1x43.6	7750
6WCPS 1140B	5	460V-3-60Hz	5x42.0	5x174	5x26.9	114 399	560x560 (T)	50(1)	67.4	465	20000 36770	36.7	4/12	20x20(12) 20x25(10) 25x25(2)	1x21.8 2x43.6	8790
6WCPS 1340B	6	460V-3-60Hz	6x42.0	6x174	6x26.9	134 469	560x560 (T)	50(1)	67.4	465	21200 38870	36.7	4/11	20x20(12) 20x25(10) 25x25(2)	3x43.6	9122
6WCPS 1520B	7	460V-3-60Hz	5x35.0 2x42.0	5x140 2x174	5x22.4 2x26.9	152 532	560x560 (T)	50(1)	67.4	465	21200 38870	28.3	5/10	20x20(12) 20x25(10) 25x25(2)	1x19.6 1x21.8 2x43.6	9240

- Notes:
- 1) LRA = Locked rotor ampere.
 - 2) NRA = Nominal running ampere.
 - 3) FLA = Full load ampere.
 - 4) MRA = Maximum running ampere.
 - 5) Minimum-maximum voltage is 460V ± 10%.
 - 6) Filter is 1 inch thick.
 - 7) Blower for model 6WCPS 81B to 95B as direct driven.
 - 8) For other power supply requirements, please contact the Dunham-Bush sales office.

PERFORMANCE DATA

WCPS-CH (50Hz/ 60Hz)

R407C



Model	Standard Capacity MBH	Air On Evap.		Leaving Condenser Water Temperature - °F								
		CFM	WB Temp. °F	80			95			110		
				Total MBH ¹	Sens MBH ²	kW ³	Total MBH ¹	Sens MBH ²	kW ³	Total MBH ¹	Sens MBH ²	kW ³
WCP 18CH	17.5	650	72	19.7	10.4	1.3	18.5	9.8	1.4	16.7	8.9	1.4
			67	18.7	13.9	1.2	17.5	12.9	1.3	16.5	12.3	1.4
			62	17.1	17.1	1.2	15.8	15.8	1.3	15.1	15.1	1.4
WCP 24CH	23.3	800	72	26.2	13.9	1.8	24.7	13.1	1.9	22.3	11.9	2.0
			67	25.0	18.5	1.7	23.3	17.2	1.8	22.0	16.4	1.9
			62	22.8	22.8	1.7	21.0	21.0	1.8	20.1	20.1	1.9
WCP 28CH	27.1	1000	72	30.6	16.3	2.0	28.8	15.3	2.2	26.0	13.8	2.3
			67	29.1	21.6	2.0	27.1	20.1	2.2	25.7	19.1	2.3
			62	26.6	26.6	2.0	24.6	24.6	2.1	23.5	23.5	2.2
WCP 32CH	31.0	1250	72	34.9	18.6	2.3	32.9	17.5	2.5	29.7	15.8	2.6
			67	33.3	24.7	2.2	31.0	23.0	2.5	29.4	21.8	2.6
			62	30.4	30.4	2.2	28.1	28.1	2.4	26.8	26.8	2.5
WCP 35CH	33.9	1500	72	38.2	20.3	2.5	36.0	19.1	2.7	32.5	17.3	2.8
			67	36.4	27.0	2.4	33.9	25.1	2.7	32.2	23.9	2.8
			62	33.2	33.2	2.4	30.7	30.7	2.6	29.3	29.3	2.7
WCPS 46CH	44.6	1750	72	50.2	26.7	3.3	47.3	25.1	3.6	42.7	22.7	3.7
			67	47.9	35.5	3.2	44.6	33.1	3.5	42.3	31.4	3.6
			62	43.7	43.7	3.2	40.4	40.4	3.4	38.6	38.6	3.6
WCPS 56CH	54.3	1900	72	61.1	32.5	4.1	57.6	30.6	4.4	52.0	27.7	4.6
			67	58.3	43.2	3.9	54.3	40.2	4.3	51.4	38.2	4.5
			62	53.2	53.2	3.9	49.1	49.1	4.2	47.0	47.0	4.4
WCPS 68CH	62.4	2100	72	71.3	37.9	7.3	68.2	36.9	8.0	64.8	35.5	5.8
			67	66.9	48.5	7.1	62.4	46.7	7.8	59.0	45.0	8.7
			62	58.9	44.9	7.0	45.1	48.4	7.7	57.2	52.8	8.6
WCPS 81CH	72.0	2500	72	81.2	41.6	8.0	77.5	40.3	8.8	72.7	38.2	11.9
			67	75.4	52.5	7.8	72.0	51.2	8.6	66.9	49.1	9.5
			62	57.5	58.3	7.6	65.9	61.0	8.5	61.8	59.7	9.4
WCPS 95CH	82.6	3400	72	94.5	47.8	8.2	89.1	45.4	9.0	84.3	43.3	6.5
			67	86.3	57.7	8.0	82.6	56.3	8.8	78.1	54.6	9.6
			62	65.4	63.0	7.9	96.2	67.0	8.6	71.3	65.5	9.5
WCPS 108CH	95.9	3500	72	109.2	56.6	9.7	104.4	54.6	10.6	97.2	51.9	9.8
			67	100.7	70.3	9.5	95.9	68.2	10.4	90.1	65.9	11.5
			62	85.7	68.1	9.3	103.4	70.5	10.3	81.9	78.1	11.3
WCPS 125CH	112.3	4000	72	127.3	66.2	11.0	121.5	63.8	12.1	114.0	61.1	7.8
			67	117.4	82.6	10.8	112.3	80.2	11.9	105.4	77.5	13.1
			62	113.1	73.5	10.6	111.1	74.2	11.7	96.2	92.1	12.9
WCPS 145CH	131.7	4200	72	149.1	76.8	12.4	142.6	74.4	13.7	133.4	70.6	11.7
			67	137.5	95.5	12.2	131.7	92.8	13.4	121.1	88.4	14.8
			62	132.9	79.5	12.0	119.4	109.5	13.2	111.9	106.1	14.7
WCPS 160CH	142.6	4400	72	164.1	83.3	15.6	155.3	79.8	16.9	145.7	76.1	13.3
			67	150.5	102.0	15.3	142.6	98.6	16.5	133.1	94.5	17.9
			62	137.9	85.9	15.0	128.3	115.3	16.2	119.4	111.2	17.6
WCPS 190CH	166.2	5400	72	188.0	98.3	18.4	178.1	94.5	19.9	168.2	91.1	15.1
			67	173.7	123.5	17.9	166.2	120.4	19.4	152.5	114.6	21.0
			62	142.7	92.8	17.5	150.5	142.3	19.0	140.6	137.9	20.6
WCPS 220CH	203.0	6200	72	230.3	119.4	21.0	220.1	115.3	22.9	207.8	110.2	18.3
			67	212.2	147.1	20.5	203.0	143.3	22.3	189.7	137.5	24.5
			62	155.7	100.3	20.0	184.3	168.6	21.9	173.3	163.4	24.0
WCPS 250CH	232.0	7400	72	263.8	136.5	23.7	251.8	131.7	25.8	237.8	125.9	21.5
			67	242.9	166.9	23.0	232.0	162.4	25.2	217.4	156.3	27.6
			62	189.5	108.4	22.5	210.9	190.7	24.7	198.2	184.6	27.0
WCPS 290CH	262.7	8600	72	298.6	153.9	27.0	285.3	148.8	29.5	268.9	141.9	25.1
			67	274.7	188.4	26.2	262.7	183.2	28.7	245.3	176.1	31.6
			62	258.2	117.1	25.6	238.5	215.6	28.1	223.8	208.5	30.9

Notes: 1) Ratings are based on 80°F [27°C] air on evaporator dry bulb temperature.
 2) Ratings are gross capacities. For net capacity deduct evaporator blower motor heat.
 3) kW input shown in the table is total compressor(s) power input.

PERFORMANCE DATA

WCPS-B (50Hz/ 60Hz)

R407C



Model	Std. Capacity MBH	CFM	WB	Leaving Condenser Water Temperature (°F)														
				80					95					110				
				Total		Sensible		KW	Total		Sensible		KW	Total		Sensible		KW
				MBH ¹	kW ¹	MBH ²	kW ²	Input ³	MBH ¹	kW ¹	MBH ²	kW ²	Input ³	MBH ¹	kW ¹	MBH ²	kW ²	Input ³
WCPS68B	62.4	2,000	72.0	71.3	20.9	37.9	11.1	7.3	68.2	20.0	36.9	10.8	8.0	64.8	19.0	35.5	10.4	5.8
			67.0	66.9	19.6	48.5	14.2	7.1	62.4	18.3	46.7	13.7	7.8	59.0	17.3	45.0	13.2	8.7
			62.0	58.9	17.2	44.9	13.2	7.0	45.1	13.2	48.4	14.2	7.7	57.2	16.8	52.8	15.5	8.6
WCPS81B	72.0	2,400	72.0	81.2	23.8	41.6	12.2	8.0	77.5	22.7	40.3	11.8	8.8	72.7	21.3	38.2	11.2	11.9
			67.0	75.4	22.1	52.5	15.4	7.8	72.0	21.1	51.2	15.0	8.6	66.9	19.6	49.1	14.4	9.5
			62.0	57.5	16.9	58.3	17.1	7.6	65.9	19.3	61.0	17.9	8.5	61.8	18.1	59.7	17.5	9.4
WCPS95B	82.6	2,600	72.0	94.5	27.7	47.8	14.0	8.2	89.1	26.1	45.4	13.3	9.0	84.3	24.7	43.3	12.7	6.5
			67.0	86.3	25.3	57.7	16.9	8.0	82.6	24.2	56.3	16.5	8.8	78.1	22.9	54.6	16.0	9.6
			62.0	65.4	19.2	63.0	18.5	7.9	96.2	28.2	67.0	19.6	8.6	71.3	20.9	65.5	19.2	9.5
WCPS108B	95.9	3,200	72.0	109.2	32.0	56.6	16.6	9.7	104.4	30.6	54.6	16.0	10.6	97.2	28.5	51.9	15.2	9.8
			67.0	100.7	29.5	70.3	20.6	9.5	95.9	28.1	68.2	20.0	10.4	90.1	26.4	65.9	19.3	11.5
			62.0	85.7	25.1	68.1	19.9	9.3	103.4	30.3	70.5	20.7	10.3	81.9	24.0	78.1	22.9	11.3
WCPS125B	112.3	3,500	72.0	127.3	37.3	66.2	19.4	11.0	121.5	35.6	63.8	18.7	12.1	114.0	33.4	61.1	17.9	7.8
			67.0	117.4	34.4	82.6	24.2	10.8	112.3	32.9	80.2	23.5	11.9	105.4	30.9	77.5	22.7	13.1
			62.0	113.1	33.1	73.5	21.5	10.6	111.1	32.6	74.2	21.8	11.7	96.2	28.2	92.1	27.0	12.9
WCPS145B	131.7	4,000	72.0	149.1	43.7	76.8	22.5	12.4	142.6	41.8	74.4	21.8	13.7	133.4	39.1	70.6	20.7	11.7
			67.0	137.5	40.3	95.5	28.0	12.2	131.7	38.6	92.8	27.2	13.4	121.1	35.5	88.4	25.9	14.8
			62.0	132.9	38.9	79.5	23.3	12.0	119.4	35.0	109.5	32.1	13.2	111.9	32.8	106.1	31.1	14.7
WCPS160B	142.6	4,600	72.0	164.1	48.1	83.3	24.4	15.6	155.3	45.5	79.8	23.4	16.9	145.7	42.7	76.1	22.3	13.3
			67.0	150.5	44.1	102.0	29.9	15.3	142.6	41.8	98.6	28.9	16.5	133.1	39.0	94.5	27.7	17.9
			62.0	137.9	40.4	85.9	25.2	15.0	128.3	37.6	115.3	33.8	16.2	119.4	35.0	111.2	32.6	17.6
WCPS190B	166.2	4,800	72.0	188.0	55.1	98.3	28.8	18.4	178.1	52.2	94.5	27.7	19.9	168.2	49.3	91.1	26.7	15.1
			67.0	173.7	50.9	123.5	36.2	17.9	166.2	48.7	120.4	35.3	19.4	152.5	44.7	114.6	33.6	21.0
			62.0	142.7	41.8	92.8	27.2	17.5	150.5	44.1	142.3	41.7	19.0	140.6	41.2	137.9	40.4	20.6
WCPS220B	203.0	5,400	72.0	230.3	67.5	119.4	35.0	21.0	220.1	64.5	115.3	33.8	22.9	207.8	60.9	110.2	32.3	18.3
			67.0	212.2	62.2	147.1	43.1	20.5	203.0	59.5	143.3	42.0	22.3	189.7	55.6	137.5	40.3	24.5
			62.0	155.7	45.6	100.3	29.4	20.0	184.3	54.0	168.6	49.4	21.9	173.3	50.8	163.4	47.9	24.0
WCPS250B	232.0	6,400	72.0	263.8	77.3	136.5	40.0	23.7	251.8	73.8	131.7	38.6	25.8	237.8	69.7	125.9	36.9	21.5
			67.0	242.9	71.2	166.9	48.9	23.0	232.0	68.0	162.4	47.6	25.2	217.4	63.7	156.3	45.8	27.6
			62.0	189.5	55.5	108.4	31.7	22.5	210.9	61.8	190.7	55.9	24.7	198.2	58.1	184.6	54.1	27.0
WCPS290B	262.7	7,500	72.0	298.6	87.5	153.9	45.1	27.0	285.3	83.6	148.8	43.6	29.5	268.9	78.8	141.9	41.6	25.1
			67.0	274.7	80.5	188.4	55.2	26.2	262.7	77.0	183.2	53.7	28.7	245.3	71.9	176.1	51.6	31.6
			62.0	258.2	75.7	117.1	34.3	25.6	238.5	69.9	215.6	63.2	28.1	223.8	65.6	208.5	61.1	30.9
WCPS320B	290.7	8,000	72.0	335.8	98.4	172.7	50.6	32.3	317.3	93.0	165.1	48.4	34.9	297.2	87.1	157.0	46.0	28.3
			67.0	307.8	90.2	209.5	61.4	31.5	290.7	85.2	202.3	59.3	34.1	268.9	78.8	193.1	56.6	36.9
			62.0	331.0	97.0	180.4	52.8	30.9	262.1	76.8	236.8	69.4	33.4	244.0	71.5	227.9	66.8	36.2
WCPS380B	345.3	9,200	72.0	395.5	115.9	205.4	60.2	37.9	377.4	110.6	198.2	58.1	40.8	352.8	103.4	188.0	55.1	32.3
			67.0	364.4	106.8	253.9	74.4	36.9	345.3	101.2	245.7	72.0	39.9	319.4	93.6	234.4	68.7	43.2
			62.0	352.1	103.2	290.2	85.0	36.2	314.6	92.2	290.7	85.2	39.1	294.8	86.4	280.8	82.3	42.4

- Notes: 1) Ratings are based on 80°F [27°C] air on evaporator dry bulb temperature.
 2) Ratings are gross capacities. For net capacity deduct evaporator blower motor heat.
 3) kW input shown in the table is total compressor(s) power input.
 4) WCPS 68B* available 50Hz only.

PERFORMANCE DATA

WCPS-B (50Hz/ 60Hz)

R407C



Model	Std. Capacity MBH	CFM	WB	Leaving Condenser Water Temperature (°F)														
				80					95					110				
				Total		Sensible		KW	Total		Sensible		KW	Total		Sensible		KW
				MBH ¹	kW ¹	MBH ²	kW ²	Input ³	MBH ¹	kW ¹	MBH ²	kW ²	Input ³	MBH ¹	kW ¹	MBH ²	kW ²	Input ³
WCPS435B	400.2	11,500	72.0	455.2	133.4	234.8	68.8	44.1	435.0	127.5	226.6	66.4	47.9	410.1	120.2	216.3	63.4	37.7
			67.0	419.4	122.9	287.3	84.2	42.9	400.2	117.3	279.5	81.9	46.7	369.2	108.2	265.8	77.9	51.0
			62.0	381.1	111.7	337.1	98.8	42.0	363.4	106.5	328.6	96.3	45.7	340.9	99.9	317.7	93.1	49.9
WCPS480B	438.8	12,000	72.0	506.0	148.3	263.1	77.1	51.7	479.1	140.4	251.8	73.8	55.7	449.0	131.6	239.5	70.2	44.2
			67.0	464.1	136.0	320.4	93.9	50.5	438.8	128.6	309.8	90.8	54.4	405.4	118.8	295.2	86.5	58.9
			62.0	427.1	125.1	288.1	84.4	49.6	396.1	116.1	363.1	106.4	53.5	369.2	108.2	349.7	102.5	57.8
WCPS510B	466.8	14,000	72.0	535.4	156.9	280.5	82.2	56.8	508.4	149.0	269.6	79.0	61.0	476.3	139.6	256.3	75.1	52.2
			67.0	492.0	144.2	343.6	100.7	55.4	466.8	136.8	333.4	97.7	59.5	428.6	125.6	316.3	92.7	64.2
			62.0	457.5	134.0	250.3	73.3	54.3	422.4	123.8	391.4	114.7	58.4	394.4	115.6	377.7	110.7	63.1
WCPS570B	522.7	15,000	72.0	594.4	174.2	309.1	90.6	63.7	567.8	166.4	298.2	87.4	68.3	535.4	156.9	284.9	83.5	60.2
			67.0	547.6	160.4	379.8	111.3	62.0	522.7	153.2	369.5	108.3	66.6	481.8	141.2	351.5	103.0	85.3
			62.0	497.1	145.7	445.6	130.6	60.6	473.9	138.9	434.4	127.3	65.2	444.6	130.3	420.0	123.1	70.6
WCPS640B	601.6	16,000	72.0	709.7	207.9	362.7	106.3	76.3	671.9	196.9	347.4	101.8	81.3	626.5	183.6	328.6	96.3	65.5
			67.0	653.1	191.4	445.6	130.6	74.6	601.6	176.3	423.1	124.0	79.6	562.0	164.7	407.1	119.3	83.9
			62.0	588.9	172.5	521.4	152.8	73.5	555.2	162.7	505.0	148.0	78.4	516.9	151.5	486.6	142.6	84.0
WCPS700B	645.6	17,200	72.0	755.4	221.3	386.3	113.2	83.0	719.3	210.8	371.6	108.9	88.3	676.6	198.2	354.2	103.8	85.2
			67.0	671.5	196.7	474.3	139.0	80.9	645.6	189.2	452.4	132.6	86.3	606.0	177.6	436.1	127.8	92.4
			62.0	629.5	184.4	555.5	162.8	79.6	597.1	175.0	539.8	158.2	84.9	558.6	163.7	521.4	152.8	90.8
WCPS760B	697.8	18,000	72.0	809.0	237.0	416.3	122.0	88.6	773.9	226.8	402.0	117.8	94.2	724.1	212.2	381.8	111.9	92.4
			67.0	717.2	210.1	511.8	150.0	86.5	697.8	204.5	493.7	144.7	92.2	655.8	192.1	476.3	139.6	98.8
			62.0	677.3	198.4	605.3	177.4	85.0	645.6	189.2	590.3	173.0	90.7	606.3	177.6	571.2	167.4	97.1
WCPS800B	742.8	19,600	72.0	867.0	254.0	448.4	131.4	87.7	820.3	240.3	428.9	125.7	94.0	766.0	224.4	406.4	119.1	87.0
			67.0	768.8	225.3	547.6	160.4	85.6	742.8	217.6	525.5	154.0	91.9	687.5	201.4	501.9	147.1	98.9
			62.0	720.6	211.1	642.8	188.3	84.0	678.7	198.9	622.4	182.4	90.2	631.9	185.1	599.5	175.7	97.1
WCPS860B	783.1	21,000	72.0	910.4	266.7	473.9	138.9	95.4	865.3	253.5	455.5	133.5	102.3	804.2	235.6	430.3	126.1	94.3
			67.0	836.0	244.9	582.8	170.8	93.1	783.1	229.4	559.9	164.1	99.9	729.5	213.7	537.1	157.4	107.7
			62.0	759.9	222.7	685.5	200.9	91.4	719.6	210.8	666.0	195.1	98.2	672.5	197.0	642.8	188.3	105.8
WCPS950B	857.1	23,000	72.0	992.3	290.7	511.5	149.9	104.2	948.6	277.9	493.7	144.7	112.0	893.0	261.6	471.6	138.2	100.8
			67.0	913.4	267.6	628.5	184.2	101.6	857.1	251.1	604.3	177.1	109.4	804.2	235.6	582.5	170.7	118.1
			62.0	830.5	243.3	739.1	216.6	99.7	791.6	231.9	720.3	211.0	107.3	742.8	217.6	696.8	204.2	115.9
WCPS1140B	1074.1	26,400	72.0	1247.1	365.4	643.5	188.5	143.5	1190.5	348.8	620.3	181.7	151.7	1119.2	327.9	591.0	173.2	109.9
			67.0	1208.7	354.2	776.6	227.5	141.0	1074.1	314.7	746.6	218.8	149.1	1008.6	295.5	719.6	210.8	158.5
			62.0	1024.1	300.1	910.7	266.8	139.2	991.6	290.5	886.8	259.8	147.3	928.4	272.0	855.8	250.7	156.5
WCPS1340B	1249.2	32,000	72.0	1438.9	421.6	741.8	217.3	162.9	1364.9	399.9	711.1	208.4	173.4	1280.2	375.1	675.6	198.0	120.7
			67.0	1143.1	334.9	896.0	262.5	159.5	1249.2	366.0	858.2	251.5	169.9	1149.6	336.8	814.1	238.5	181.7
			62.0	1041.4	305.1	1034.9	303.2	157.0	1131.5	331.5	1002.5	293.7	167.3	1055.7	309.3	965.3	282.8	178.9
WCPS1520B	1398.0	36,000	72.0	1613.9	472.9	830.9	243.5	184.5	1541.3	451.6	801.2	234.8	196.2	1451.9	425.4	764.3	223.9	149.8
			67.0	1484.6	435.0	1001.5	293.4	180.0	1398.0	409.6	963.9	282.4	191.8	1307.9	383.2	926.1	271.3	205.5
			62.0	1349.2	395.3	1170.7	343.0	176.7	1285.0	376.5	1139.7	333.9	188.3	1205.5	353.2	1100.8	322.5	201.6

Notes: 1) Ratings are based on 80°F [27°C] air on evaporator dry bulb temperature.
 2) Ratings are gross capacities. For net capacity deduct evaporator blower motor heat.
 3) kW input shown in the table is total compressor(s) power input.

BLOWER PERFORMANCE



WCPS-CH

a.) Model WCP 18CH to WCPS 56CH (Direct Drive)

WCP 18CH		WCP 24CH		WCP 28CH		WCP 32CH		WCP 35CH		WCPS 46CH		WCPS 56CH	
DD 7/7		DD 9/7		DD 9/7		DD 9/7		DD 9/7		DD 9/9		DD 9/9	
CFM	ESP	CFM	ESP	CFM	ESP	CFM	ESP	CFM	ESP	CFM	ESP	CFM	ESP
600	0.70	750	0.53	800	0.56	1200	0.80	1300	1.09	1550	0.84	1700	1.01
650	0.57	800	0.51	900	0.46	1250	0.58	1400	0.85	1650	0.61	1800	0.85
700	0.44	850	0.47	1000	0.32	1300	0.45	1500	0.65	1750	0.30	1900	0.61
750	0.32	900	0.40	1050	0.23	1350	0.26	1600	0.37	1800	0.25	2000	0.45

b.) Model WCPS 68CH to WCPS 290CH (Belt Driven)

RPM	CFM										Fan Model
	ESP	BHP	ESP	BHP	ESP	BHP	ESP	BHP	ESP	BHP	
WCPS 68CH											
	1700		1900		2100		2300		2500		ONE 10/10
900	0.54	0.50	0.50	0.58	0.44	0.68	0.35	0.78	0.25	0.88	
1000	0.78	0.59	0.75	0.68	0.69	0.79	0.62	0.91	0.53	1.03	
1100	1.01	0.70	1.03	0.82	0.97	0.92	0.91	1.05	0.84	1.19	
1200	1.24	0.84	1.28	0.92	1.27	1.09	1.20	1.19	1.14	1.34	
WCPS 81CH											
	2000		2250		2500		2750		3000		ONE 10/10
1100	0.93	0.87	0.84	1.01	0.74	1.19	0.60	1.38	0.45	1.58	
1200	1.21	1.01	1.15	1.18	1.04	1.35	0.93	1.57	0.79	1.79	
1300	1.48	1.14	1.47	1.34	1.37	1.54	1.27	1.77	1.15	2.02	
1400	1.75	1.35	1.78	1.50	1.73	1.77	1.62	1.96	1.52	2.86	
WCPS 95CH											
	2800		3100		3400		3700		4200		ONE 12/12
700	0.27	0.75	0.21	0.87	0.12	1.01	0.01	1.17	-	-	
800	0.53	0.91	0.47	1.06	0.40	1.22	0.33	1.39	0.12	1.72	
900	0.82	1.12	0.76	1.26	0.70	1.45	0.64	1.65	0.49	2.01	
1000	1.09	1.33	1.09	1.51	1.02	1.72	0.96	1.93	0.84	2.33	
WCPS 108CH											
	2900		3200		3500		3800		4100		ONE 12/12
750	0.42	0.87	0.37	1.01	0.30	1.17	0.20	1.33	0.06	1.50	
850	0.69	1.06	0.65	1.22	0.59	1.39	0.53	1.58	0.43	1.78	
950	1.00	1.27	0.95	1.45	0.90	1.65	0.85	1.86	0.77	2.09	
1050	1.28	1.51	1.30	1.72	1.24	1.94	1.19	2.17	1.12	2.41	
WCPS 125CH											
	3000		3400		3800		4200		4600		ONE 12/12
800	0.57	1.01	0.51	1.22	0.41	1.46	0.27	1.72	0.05	1.98	
900	0.86	1.22	0.81	1.45	0.73	1.72	0.63	2.01	0.47	2.33	
1000	1.18	1.46	1.13	1.72	1.06	2.00	0.98	2.32	0.87	2.68	
1100	1.46	1.70	1.49	2.01	1.41	2.32	1.35	2.68	1.25	3.07	
WCPS 145CH											
	3300		3800		4200		4600		5000		ONE 12/12
850	0.60	1.27	0.50	1.58	0.37	1.85	0.18	2.16	-	-	
900	0.75	1.39	0.66	1.72	0.54	2.01	0.38	2.33	0.15	2.68	
950	0.91	1.51	0.82	1.86	0.72	2.17	0.59	2.52	0.38	2.87	
1000	1.07	1.65	0.99	2.00	0.89	2.32	0.78	2.68	0.60	3.08	
WCPS 160CH											
	3400		3900		4400		4900		5400		ONE 12/12
900	0.75	1.45	0.62	1.78	0.47	2.16	0.21	2.59	-	-	
950	0.90	1.58	0.79	1.93	0.66	2.33	0.43	2.79	0.13	3.26	
1000	1.07	1.72	0.96	2.09	0.84	2.52	0.66	2.99	0.38	3.49	
1050	1.24	1.86	1.13	2.24	1.02	2.68	0.86	3.19	0.63	3.74	
WCPS 190CH											
	3500		4200		4900		5600		6000		ONE 15/15
800	0.81	1.34	0.71	1.68	0.58	2.12	0.43	2.61	0.28	2.91	
850	0.97	1.49	0.89	1.85	0.76	2.30	0.61	2.84	0.52	3.18	
950	1.31	1.85	1.27	2.28	1.17	2.73	1.01	3.34	0.92	3.71	
1050	1.64	2.25	1.67	2.72	1.60	3.27	1.47	3.87	1.37	4.29	
WCPS 220CH											
	4900		5300		5700		6100		6500		ONE 18/18
800	1.12	2.59	1.15	2.77	1.17	3.03	1.17	3.30	1.14	3.56	
850	1.28	2.92	1.31	3.12	1.34	3.36	1.37	3.67	1.38	3.98	
900	1.45	3.28	1.49	3.54	1.51	3.75	1.55	4.05	1.59	4.38	
950	1.64	3.67	1.67	3.95	1.70	4.22	1.74	4.50	1.79	4.82	
WCPS 250CH											
	5100		6000		6900		7800		8700		ONE 18/18
600	0.61	1.58	0.51	1.97	0.37	2.44	0.17	2.96	-	-	
700	0.98	2.09	0.94	2.53	0.81	3.04	0.67	3.67	0.49	4.34	
800	1.29	2.68	1.39	3.23	1.31	3.81	1.18	4.48	1.03	5.27	
900	1.62	3.40	1.76	3.98	1.84	4.73	1.75	5.45	1.60	6.30	
WCPS 290CH											
	5600		6500		7400		8300		9200		ONE 18/18 (KAT)
700	0.89	2.35	0.75	2.81	0.61	3.38	0.42	4.05	0.11	4.77	
750	1.09	2.65	0.99	3.15	0.85	3.75	0.67	4.46	0.45	5.24	
800	1.26	2.96	1.25	3.56	1.11	4.17	0.94	4.90	0.73	5.70	
900	1.61	3.73	1.70	4.38	1.68	5.13	1.50	5.91	1.32	6.82	

BLOWER PERFORMANCE



WCPS-B

RPM	CFM										Fan Model
	ESP	BHP	ESP	BHP	ESP	BHP	ESP	BHP	ESP	BHP	
WCPS 108B											12 / 12
	2600		2900		3200		3500		3800		
800	0.53	0.82	0.46	0.95	0.41	1.11	0.33	1.27	0.23	1.45	
900	0.80	1.01	0.76	1.17	0.70	1.33	0.63	1.50	0.55	1.72	
1000	1.04	1.21	1.06	1.38	1.02	1.57	0.95	1.77	0.88	2.00	
1100	1.26	1.42	1.33	1.62	1.36	1.85	1.32	2.08	1.23	2.32	
WCPS 125B											12 / 12
	3000		3300		3600		3900		4200		
850	0.65	1.10	0.58	1.26	0.53	1.45	0.45	1.63	0.35	1.85	
950	0.96	1.33	0.89	1.50	0.84	1.70	0.78	1.93	0.70	2.16	
1050	1.27	1.57	1.24	1.78	1.18	2.00	1.13	2.24	1.06	2.51	
1150	1.54	1.84	1.58	2.08	1.56	2.32	1.50	2.59	1.43	2.87	
WCPS 145B											12 / 12
	3100		3400		3700		4000		4300		
900	0.70	1.26	0.64	1.45	0.56	1.65	0.47	1.85	0.35	2.08	
1000	1.03	1.51	0.96	1.70	0.88	1.92	0.80	2.16	0.71	2.41	
1100	1.34	1.77	1.32	2.00	1.24	2.24	1.16	2.49	1.08	2.77	
1200	1.62	2.05	1.66	2.30	1.64	2.60	1.55	2.87	1.47	3.16	
WCPS 160B											12 / 12
	3300		3600		3900		4200		4500		
900	0.87	1.38	0.83	1.57	0.77	1.77	0.71	2.01	0.63	2.24	
1000	1.20	1.63	1.16	1.85	1.11	2.08	1.05	2.32	1.01	2.59	
1100	1.55	1.93	1.52	2.16	1.47	2.41	1.42	2.68	1.38	2.97	
1200	1.87	2.22	1.90	2.49	1.86	2.77	1.81	3.07	1.78	3.38	
WCPS 190B											15 / 15
	5000		5400		5800		6200		6600		
800	0.82	2.17	0.78	2.47	0.72	2.73	0.45	3.08	0.02	3.50	
900	1.21	2.59	1.16	2.91	1.11	3.26	1.06	3.62	0.98	3.98	
1000	1.62	3.04	1.59	3.39	1.54	3.81	1.48	4.19	1.42	4.64	
1100	2.08	3.64	2.05	3.98	2.01	4.37	1.97	4.84	1.89	5.32	
WCPS 220B											15 / 15
	5600		6000		6400		6800		7200		
850	0.99	2.84	0.94	3.16	0.80	3.50	0.38	3.94	-	-	
900	1.18	3.07	1.14	3.44	1.09	3.79	0.94	4.18	0.48	4.69	
1000	1.62	3.60	1.56	3.99	1.52	4.41	1.47	4.86	1.42	5.29	
1100	2.08	4.17	2.05	4.61	1.99	5.07	1.94	5.56	1.90	6.10	
WCPS 250B											15 / 15
	5600		6000		6400		6800		7200		
850	1.02	2.84	0.97	3.16	0.83	3.50	0.43	3.94	-	-	
900	1.21	3.07	1.17	3.44	1.12	3.79	0.99	4.18	0.51	4.69	
1000	1.65	3.60	1.59	3.99	1.55	4.41	1.52	4.86	1.45	5.29	
1100	2.11	4.17	2.08	4.61	2.02	5.07	1.99	5.56	1.93	6.10	
WCPS 290B											18 / 13
	6200		6800		7400		8000		8600		
800	1.55	3.60	1.44	4.10	1.33	4.64	1.23	5.15	0.84	5.78	
900	2.12	4.40	2.08	5.00	1.97	5.56	1.83	6.26	1.72	6.86	
1000	2.76	5.25	2.71	5.92	2.67	6.69	2.55	7.33	2.41	8.16	
1100	3.42	6.15	3.41	6.97	3.35	7.76	3.30	8.67	3.21	9.49	
WCPS 320B											18 / 13
	6600		7200		7800		8400		8800		
850	1.81	4.34	1.69	4.89	1.58	5.51	1.48	6.06	1.32	6.51	
900	2.12	4.81	2.04	5.36	1.90	6.02	1.77	6.66	1.72	7.09	
1000	2.74	5.68	2.70	6.43	2.62	7.10	2.48	7.87	2.39	8.46	
1100	3.43	6.69	3.39	7.49	3.35	8.38	3.27	9.23	3.19	9.77	
WCPS 380B											18 / 18
	7600		8400		9200		10000		10800		
700	0.86	3.52	0.75	4.11	0.53	4.77	0.21	5.45	-	-	
750	1.10	3.89	1.00	4.54	0.87	5.24	0.61	6.00	0.26	6.81	
800	1.36	4.33	1.27	4.98	1.15	5.76	1.00	6.55	0.69	7.45	
850	1.63	4.77	1.55	5.48	1.44	6.27	1.31	7.14	1.10	8.05	
WCPS 435B											18 / 18
	8600		9400		10200		11000		11800		
700	0.77	4.26	0.55	4.94	0.22	5.67	-	-	-	-	
750	1.04	4.73	0.92	5.43	0.59	6.19	0.29	7.04	0.05	7.97	
800	1.31	5.17	1.21	5.94	1.01	6.77	0.70	7.66	0.37	8.64	
850	1.59	5.67	1.50	6.49	1.36	7.38	1.14	8.32	0.79	9.34	
WCPS 480B											20 / 20
	8000		9500		11000		12500		14000		
550	0.68	2.64	0.56	3.34	0.39	4.17	0.19	5.11	-	-	
650	1.16	3.54	1.07	4.38	0.93	5.36	0.77	6.49	0.53	7.69	
750	1.68	4.64	1.63	5.64	1.51	6.75	1.38	8.03	1.19	9.50	
850	2.21	5.98	2.24	7.09	2.16	8.42	2.05	9.86	1.89	11.50	

Note: Data shown for Class 1 fan construction.

BLOWER PERFORMANCE



WCPB-B

RPM	CFM										Fan Model
	ESP	BHP	ESP	BHP	ESP	BHP	ESP	BHP	ESP	BHP	
WCPB 510B											
	10000		11500		13000		14500		16000		22 / 22
500	0.66	3.34	0.57	4.03	0.42	4.79	0.24	5.67	0.03	6.62	
600	1.22	4.64	1.15	5.46	1.03	6.41	0.89	4.78	0.68	8.59	
700	1.79	6.29	1.80	7.21	1.73	8.33	1.59	9.58	1.42	10.92	
800	2.42	8.35	2.44	9.41	2.45	10.66	2.38	12.16	2.24	13.74	
WCPB 570B											
	11000		13500		15000		15800		16500		22 / 22
550	0.85	4.48	0.62	5.90	0.45	6.89	0.32	7.41	0.23	7.91	
650	1.45	6.01	1.29	7.73	1.13	8.86	1.03	9.58	0.95	10.17	
700	1.75	6.92	1.64	8.77	1.49	10.00	1.39	10.75	1.32	11.35	
800	2.40	9.03	2.39	11.17	2.31	12.57	2.22	13.55	2.16	14.30	
WCPB 640B											
	14600		15400		16200		17000		17800		22 / 22
550	0.65	6.61	0.52	7.10	0.44	7.75	0.37	8.32	0.22	8.96	
650	1.32	8.58	1.22	9.18	1.13	9.89	1.08	10.61	0.94	11.90	
700	1.69	9.66	1.58	10.39	1.51	11.08	1.46	11.91	1.33	12.65	
750	2.08	10.94	1.98	11.67	1.91	12.46	1.87	13.33	1.75	14.15	
WCPB 700B											
	15600		16400		17200		18000		18800		22 / 22
550	0.55	7.26	0.45	7.88	0.33	8.47	0.24	9.12	0.10	9.80	
600	0.89	8.27	0.79	8.95	0.67	9.57	0.60	10.34	0.46	11.05	
650	1.25	9.39	1.15	10.06	1.05	10.81	0.75	11.55	0.83	12.36	
700	1.63	10.64	1.53	11.23	1.45	12.71	1.37	12.93	1.25	13.88	
WCPB 760B											
	13000		15000		17000		19000		21000		25 / 25
500	0.95	5.50	0.83	6.54	0.77	7.87	0.37	9.44	-	-	
550	1.29	6.59	1.18	7.72	1.06	9.11	0.87	10.68	0.48	12.64	
600	1.64	7.74	1.55	9.09	1.44	10.56	1.27	12.15	1.06	14.20	
650	1.94	8.99	1.94	10.55	1.84	12.15	1.69	13.92	1.52	15.95	
WCPB 800B											
	15000		17000		19000		21000		23000		25 / 25
550	1.33	7.72	1.22	9.12	1.10	10.70	0.75	12.64	0.12	14.75	
600	1.70	9.09	1.59	10.52	1.50	12.20	1.33	14.20	0.91	16.50	
640	2.01	10.25	1.92	11.82	1.82	13.50	1.70	15.63	1.46	18.00	
680	2.33	11.40	2.26	13.21	2.16	15.03	2.05	17.14	1.89	19.62	
6WCPB 860B											
	17000		19000		21000		23000		25000		28 / 28
400	0.69	5.88	0.59	6.86	0.47	8.08	0.19	9.40	-	-	
450	1.05	7.18	0.98	8.31	0.87	9.55	0.72	10.98	0.52	12.64	
500	1.42	8.58	1.39	9.96	1.29	11.28	1.16	12.86	1.03	14.58	
600	2.22	12.17	2.23	13.61	2.20	15.42	2.11	17.30	2.02	19.32	
WCPB 950B											
	19000		21000		23000		25000		27000		28 / 28
450	0.95	8.31	0.85	9.56	0.70	10.98	0.48	12.63	-	-	
500	1.35	9.92	1.27	11.29	1.14	12.86	1.00	14.59	0.81	16.47	
600	2.20	13.62	2.18	15.43	2.09	17.30	1.99	19.32	1.84	21.53	
650	2.66	15.94	2.66	17.66	2.60	19.87	2.52	22.11	2.39	24.46	
WCPB 1140B											
	20000		22000		24000		26000		28000		2 x 22 / 22
500	0.60	6.71	0.55	7.58	0.45	8.55	0.36	9.69	0.26	10.83	
600	1.12	9.19	1.10	10.33	1.02	11.58	0.93	12.81	0.86	14.26	
700	1.65	12.35	1.69	13.71	1.64	15.06	1.59	16.70	1.52	18.37	
800	2.24	16.25	2.29	17.86	2.29	19.47	2.27	21.13	2.25	23.13	
WCPB 1340B											
	25000		27000		29000		31000		33000		2 x 22 / 22
500	0.40	9.13	0.30	10.22	0.20	11.40	0.07	12.77	-	-	
600	0.96	12.15	0.90	13.57	0.80	14.94	0.67	16.52	0.55	18.17	
700	1.61	15.88	1.55	17.51	1.47	19.19	1.37	21.06	1.25	22.86	
800	2.28	20.33	2.27	22.19	2.22	24.16	2.12	26.29	2.03	28.54	
WCPB 1520B											
	28000		30000		32000		34000		36000		2 x 22 / 22
500	0.25	10.83	0.13	12.09	-	-	-	-	-	-	
600	0.85	14.26	0.74	15.80	0.60	17.34	0.49	19.08	0.35	20.89	
700	1.51	18.37	1.41	20.10	1.31	22.00	1.20	23.99	1.07	26.16	
800	2.24	23.13	2.16	25.19	2.06	27.36	1.96	29.60	1.87	32.15	

Note: Data shown for Class 1 fan construction.

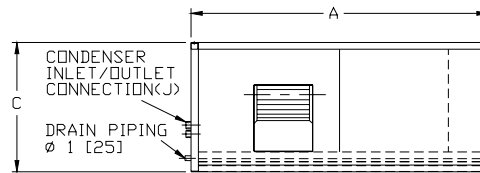
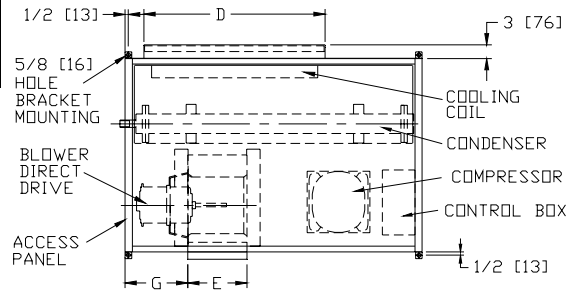
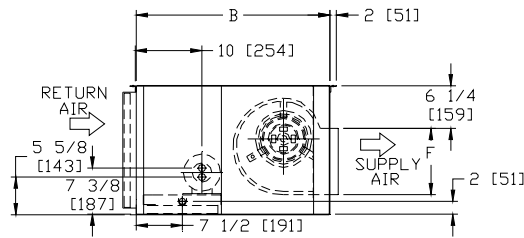
DIMENSIONAL DATA

50/60Hz : WCP 18CH TO WCPS 56CH

Model	A	B	C	D	E	F	G	J
WCP 18CH	46 1/2[1181]	30[762]	20[508]	25 5/8[651]	9 1/4[235]	10 1/2[267]	10[254]	3/4[19]
WCP 24CH	46 1/2[1181]	30[762]	20[508]	25 5/8[651]	9 1/4[235]	10 1/2[267]	10[254]	3/4[19]
WCP 28CH	46 1/2[1181]	30[762]	20[508]	25 5/8[651]	9 1/4[235]	10 1/2[267]	10[254]	1[25]
WCP 32CH	46 1/2[1181]	30[762]	22[559]	32[813]	10 1/2[267]	11 1/2[292]	9[229]	1[25]
WCP 35CH	46 1/2[1181]	30[762]	22[559]	32[813]	10 1/2[267]	11 1/2[292]	9[229]	1[25]
WCPS 46CH	46 1/2[1181]	30[762]	22[559]	36[914]	13[330]	11 1/2[292]	9[229]	1 1/4[32]
WCPS 56CH	46 1/2[1181]	30[762]	22[559]	36[914]	13[330]	11 1/2[292]	9[229]	1 1/4[32]

Notes:

1. Factory will ship loose thermostat junction box when the order require Thermostat options.
2. Factory will ship loose control panel enclosure when the order require controller and starter. Size is 20"x20"x10".

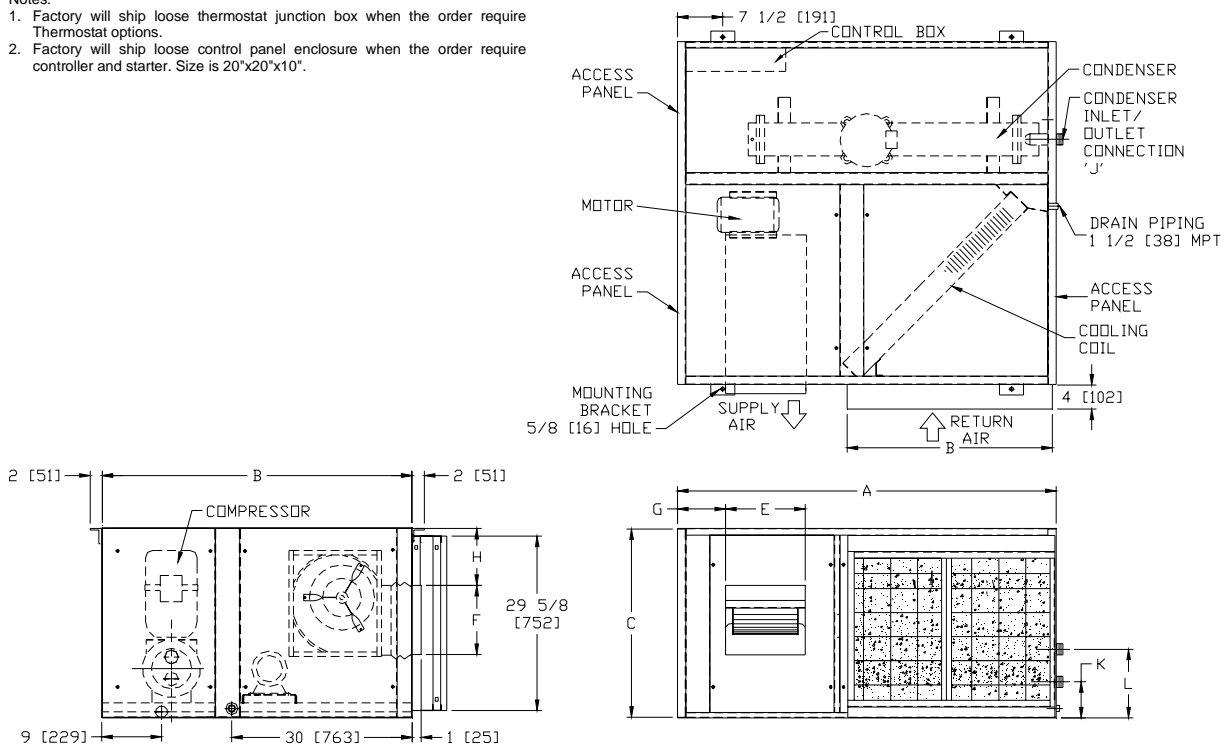


50/60Hz : WCPS 68CH TO WCPS 145CH

Model	A	B	C	D	E	F	G	H	J	K	L
WCPS 68CH	63 [1600]	54 [1372]	31 1/2 [800]	34 [864]	13 [330]	11 1/2 [292]	8 [203]	9 1/2 [241]	1 1/4 [32]	6 [152]	8 1/4 [210]
WCPS 81CH	63 [1600]	54 [1372]	31 1/2 [800]	34 [864]	13 [330]	11 1/2 [292]	8 [203]	9 1/2 [241]	1 1/2 [38]	6 [152]	8 1/4 [210]
WCPS 95CH	68 [1727]	54 [1372]	34 1/2 [876]	36 [914]	15 1/2 [394]	13 1/2 [343]	8 [203]	9 1/2 [241]	1 1/2 [38]	6 1/4 [159]	9 [229]
WCPS 108CH	68 [1727]	54 [1372]	36 [914]	36 [914]	15 1/2 [394]	13 1/2 [343]	8 [203]	9 [229]	1 1/2 [38]	6 1/4 [159]	9 [229]
WCPS 125CH	72 [1829]	54 [1372]	36 [914]	40 [1016]	15 1/2 [394]	13 1/2 [343]	8 [203]	9 [229]	1 1/2 [38]	6 1/4 [159]	9 [229]
WCPS 145CH	72 [1829]	54 [1372]	36 [914]	40 [1016]	15 1/2 [394]	13 1/2 [343]	9 [229]	10 [254]	1 1/2 [38]	6 1/4 [159]	9 [229]

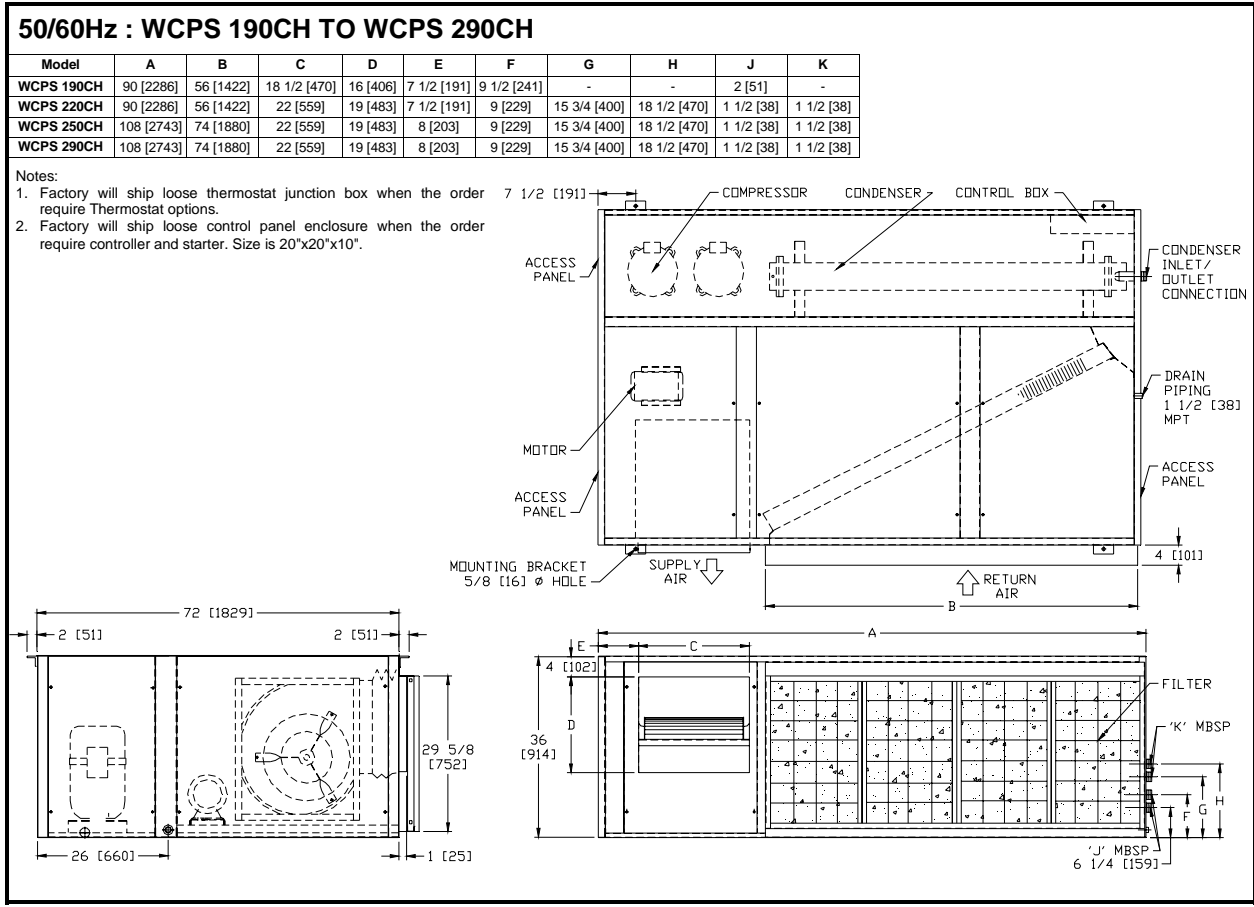
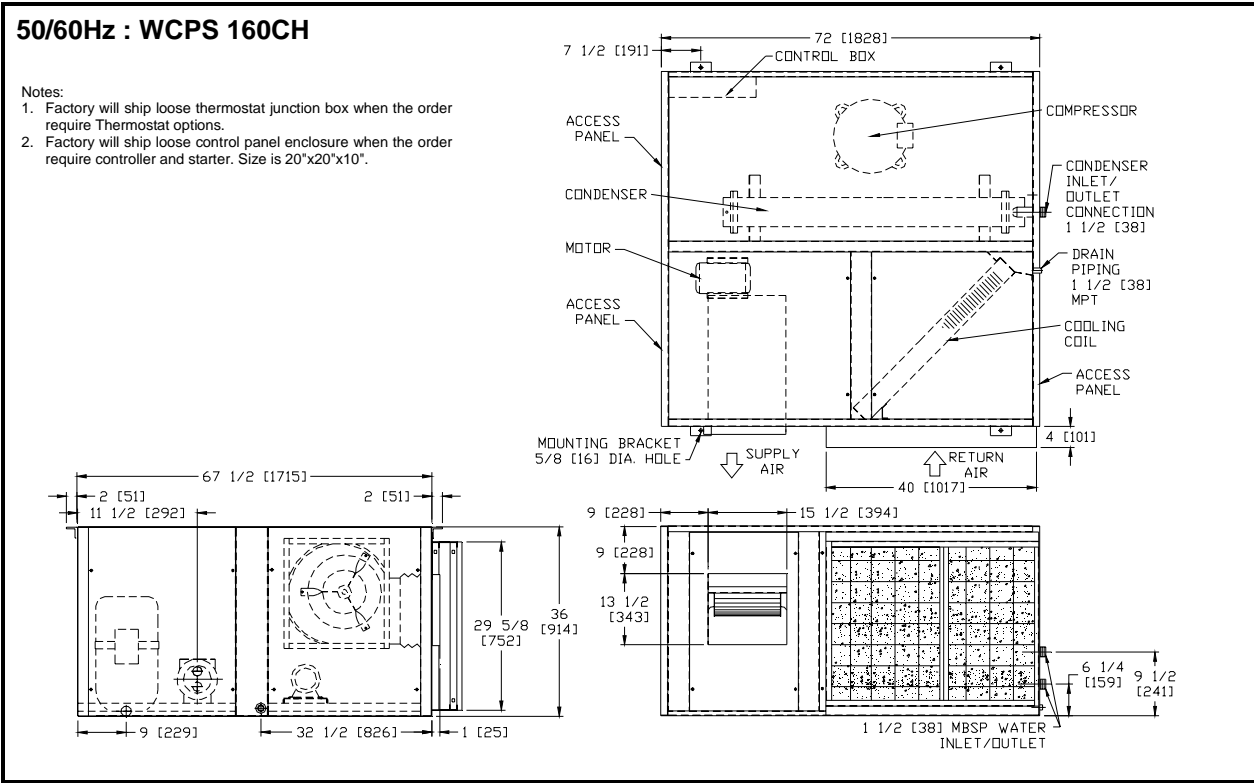
Notes:

1. Factory will ship loose thermostat junction box when the order require Thermostat options.
2. Factory will ship loose control panel enclosure when the order require controller and starter. Size is 20"x20"x10".



- 1.) The unit connection, left/right hand is determined by facing into the return air stream.
- 2.) All dimensions are in inches[mm].

DIMENSIONAL DATA

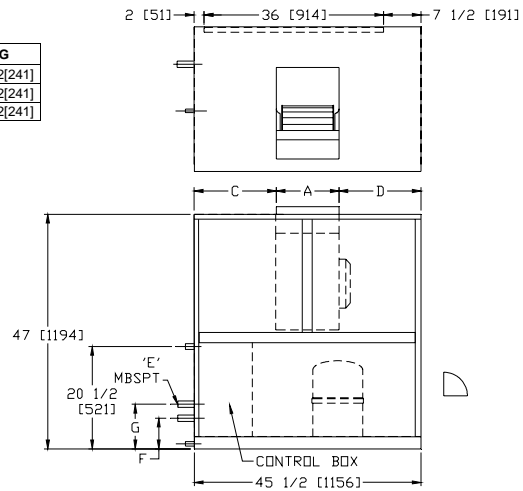
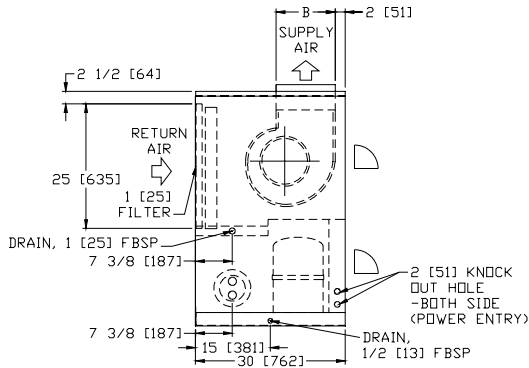


Notes: 1.) The unit connection, left/right hand is determined by facing into the return air stream. Unit shown in drawing is right hand connection. 2.) All dimensions are in inches[mm].

DIMENSIONAL DATA

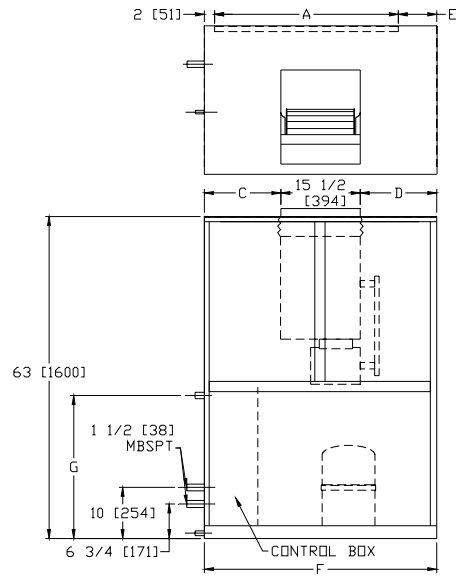
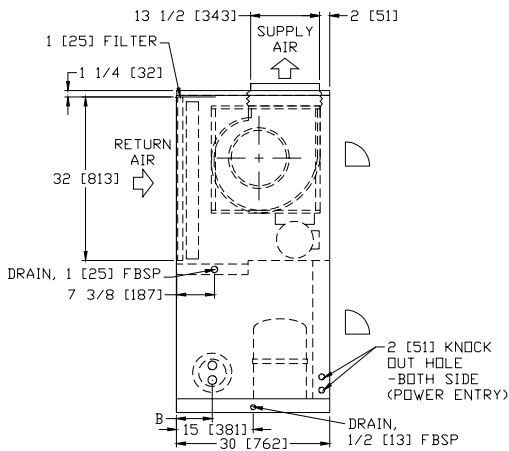
50Hz : WCPS 68B, 81B, 95B

Model	A	B	C	D	E	F	G
WCPS 68B	13[330]	11 1/2[292]	16 1/4[413]	16 1/4[413]	1 1/4[32]	6 3/4[171]	9 1/2[241]
WCPS 81B	15 1/2[394]	13 1/2[343]	15[381]	15[381]	1 1/2[38]	6 3/4[171]	9 1/2[241]
WCPS 95B	15 1/2[394]	13 1/2[343]	15[381]	15[381]	1 1/2[38]	6 1/2[165]	9 1/2[241]

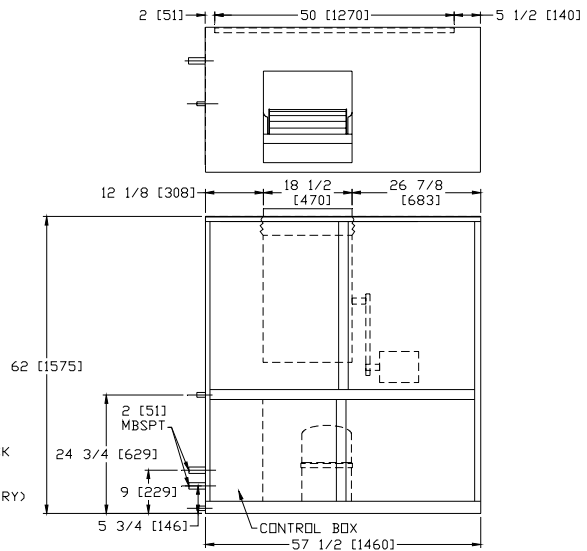
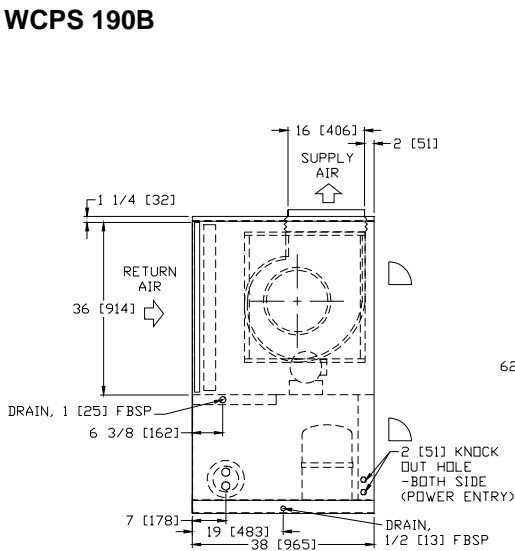


50Hz : WCPS 108B, 125B, 145B, 160B

Model	A	B	C	D	E	F	G
WCPS 108B	36[914]	7[178]	15[381]	15[381]	7 1/2[191]	45 1/2[1156]	28 [711]
WCPS 125B	36[914]	7[178]	15[381]	15[381]	7 1/2[191]	45 1/2[1156]	28 [711]
WCPS 145B	36[914]	7[178]	15[381]	15[381]	7 1/2[191]	45 1/2[1156]	28[711]
WCPS 160B	50[1270]	6[152]	21[533]	21[533]	5 1/2[140]	57 1/2[1461]	26 [660]

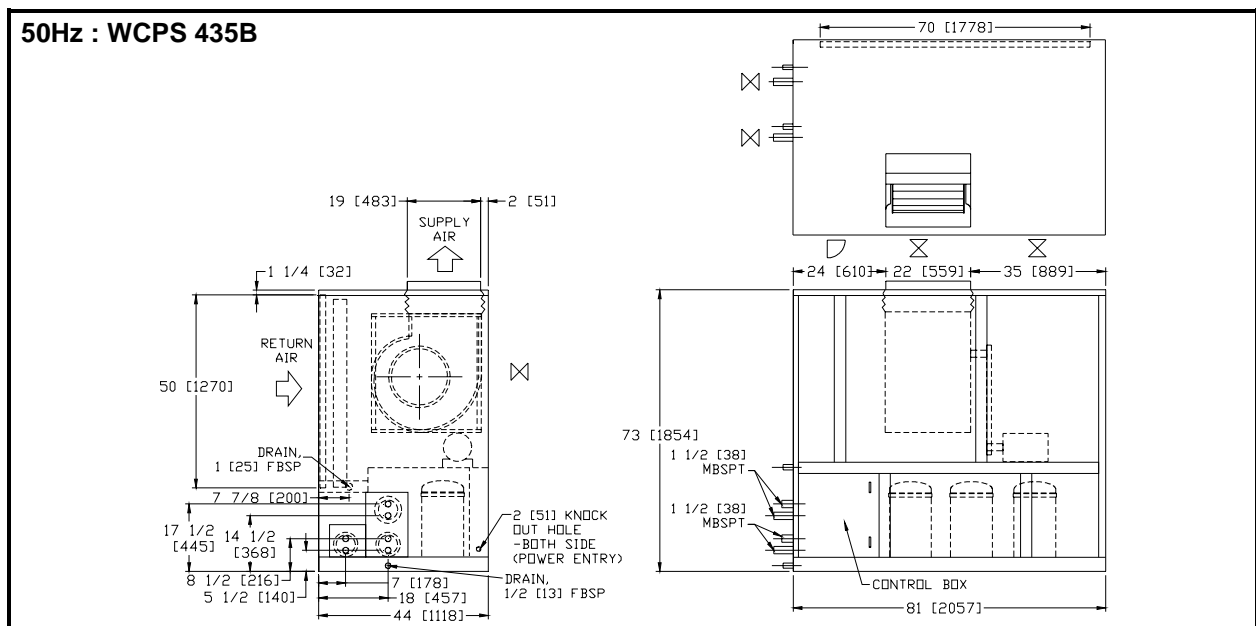
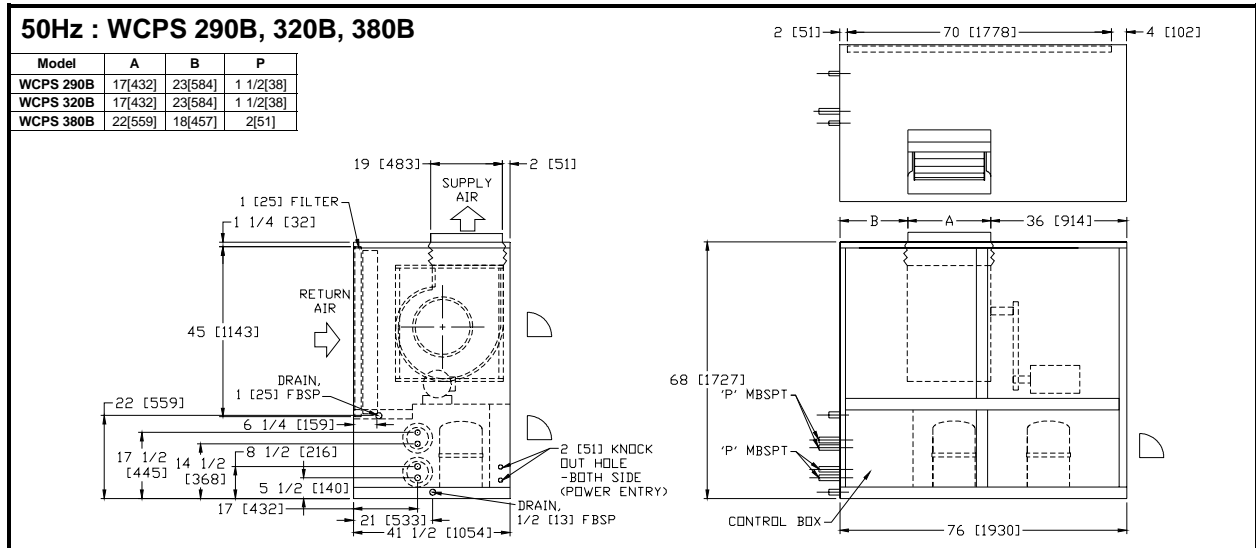
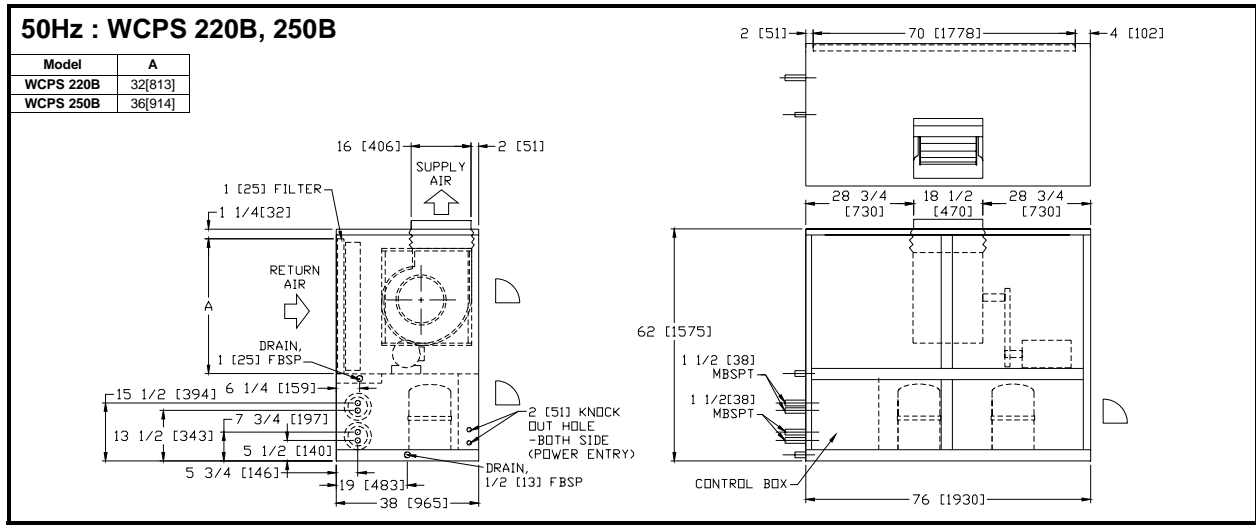


50Hz : WCPS 190B



Note: All dimensions are in inches[mm].

DIMENSIONAL DATA

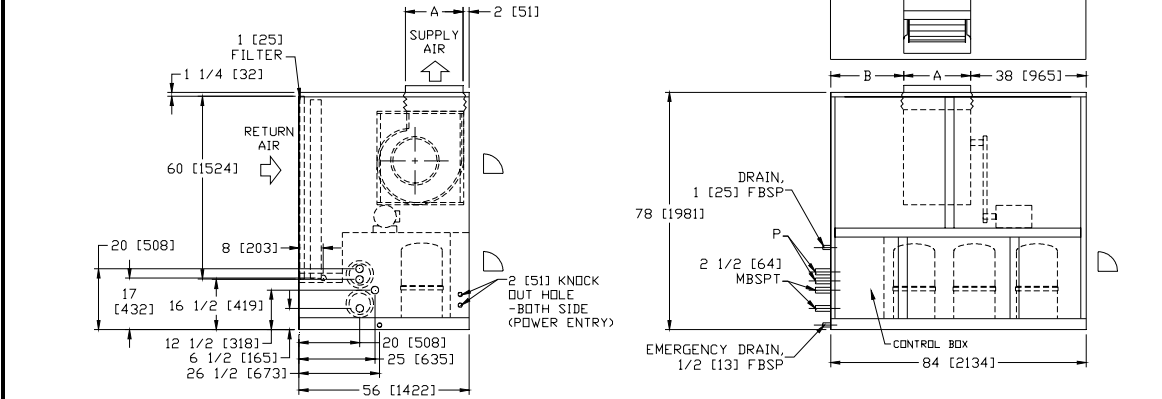


Note: All dimensions are in inches[mm].

DIMENSIONAL DATA

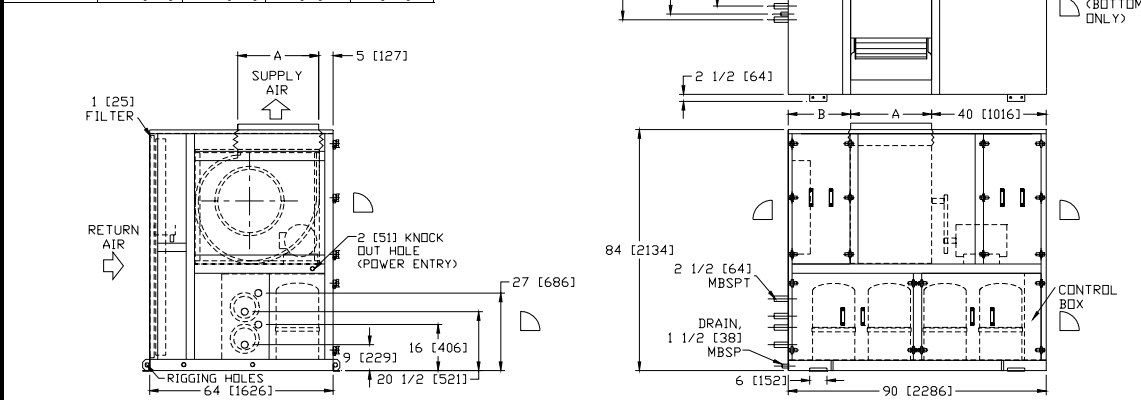
50Hz : WCPS 480B, 510B, 570B

Model	A	B	P
WCPS 480B	25 1/4[641]	20 3/4[527]	1 1/2[38]
WCPS 510B	28 1/4[718]	17 3/4[451]	2[51]
WCPS 570B	28 1/4[718]	17 3/4[451]	2[51]



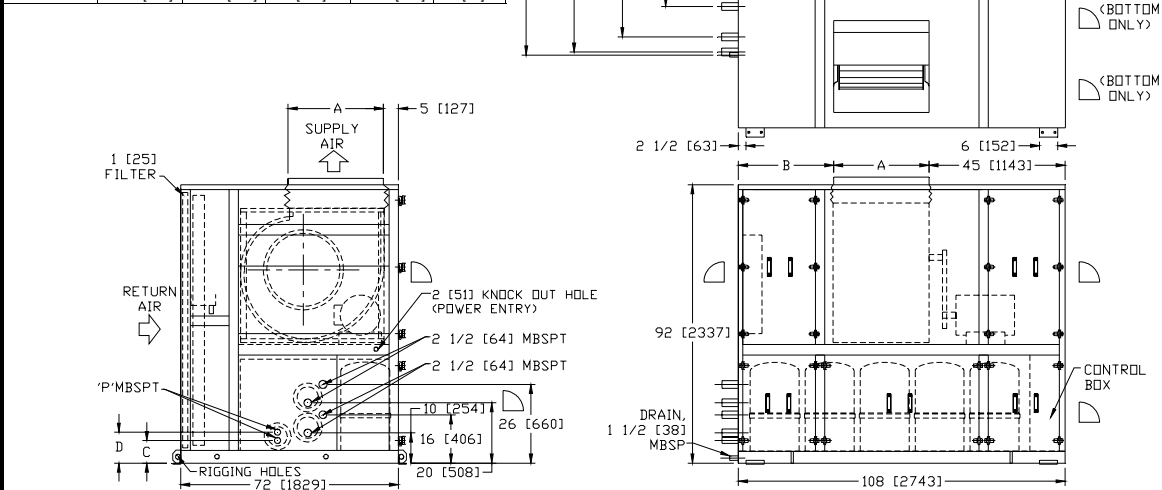
50Hz : WCPS 640B, 700B, 760B

Model	A	B	C	D
WCPS 640B	28 1/4[718]	21 3/4[552]	6 1/2[165]	6 1/2[165]
WCPS 700B	28 1/4[718]	21 3/4[552]	2[51]	8[203]
WCPS 760B	31 1/2[800]	18 1/2[470]	2[51]	8[203]



50Hz : WCPS 800B, 860B, 950B

Model	A	B	C	D	P
WCPS 800B	31 1/2[800]	31 1/2[800]	7 1/2[191]	10 1/4[260]	1 1/2[38]
WCPS 860B	35 1/2[902]	27 1/2[699]	7 1/2[191]	10 1/4[260]	1 1/2[38]
WCPS 950B	35 1/2[902]	27 1/2[699]	8[203]	11 1/2[292]	2[51]

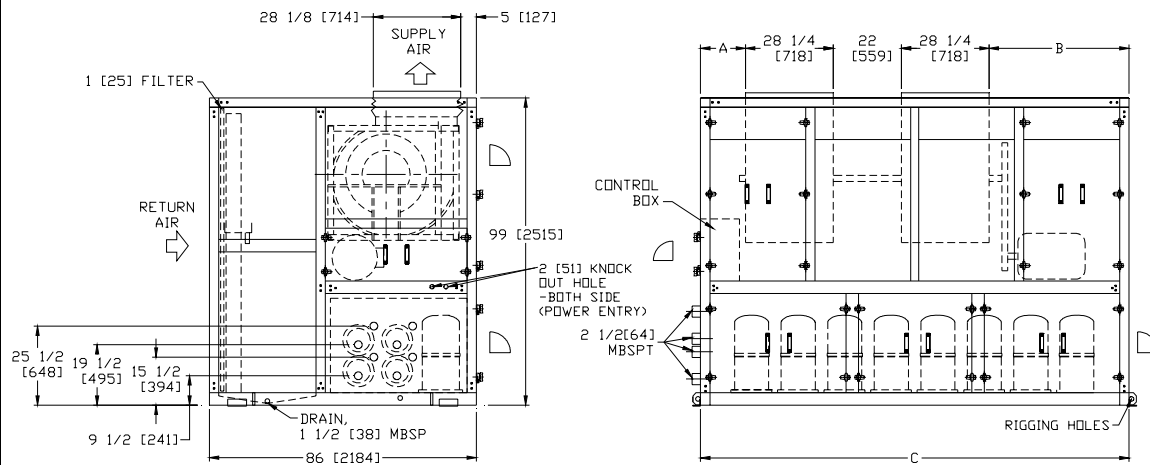
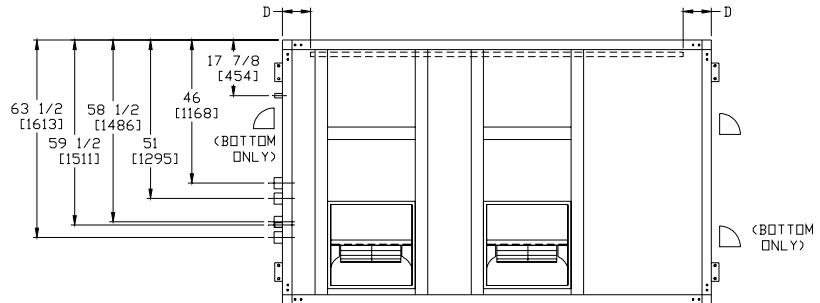


Note: All dimensions are in inches[mm].

DIMENSIONAL DATA

50Hz : WCPS 1140B, 1340B, 1520B

Model	A	B	C	D
WCPS 1140B	14 1/2[368]	45[1143]	138[3505]	9[229]
WCPS 1340B	21 1/2[546]	50[1270]	150[3810]	15[381]
WCPS 1520B	21 1/2[546]	50[1270]	150[3810]	15[381]

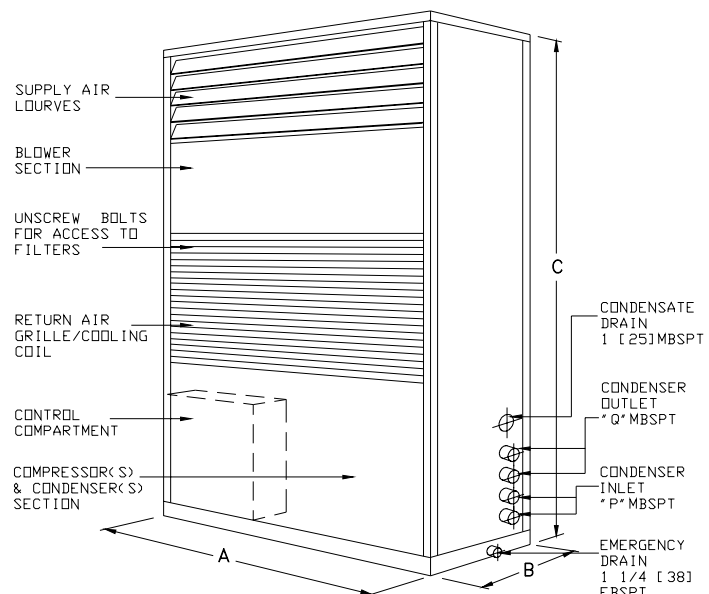


50/60Hz : WCPS-FB (FREE-BLOW TYPE)

Model	A	B	C	P	Q
WCPS 68 FB	48[1219]	22[559]	79[2007]	1 1/4[32]	-
WCPS 81 FB	48[1219]	22[559]	79[2007]	1 1/2[38]	-
WCPS 95 FB	48[1219]	22[559]	79[2007]	1 1/2[38]	-
WCPS 125 FB	61[1549]	24[610]	81[2057]	1 1/2[38]	-
WCPS 145 FB	61[1546]	24[610]	81[2057]	1 1/2[38]	-
WCPS 160 FB	61[1549]	30[762]	86[2184]	1 1/2[38]	-
WCPS 190 FB	72[1829]	30[762]	86[2184]	1 1/2[38]	1 1/2[38]
WCPS 220 FB	72[1829]	30[762]	86[2184]	1 1/2[38]	1 1/2[38]

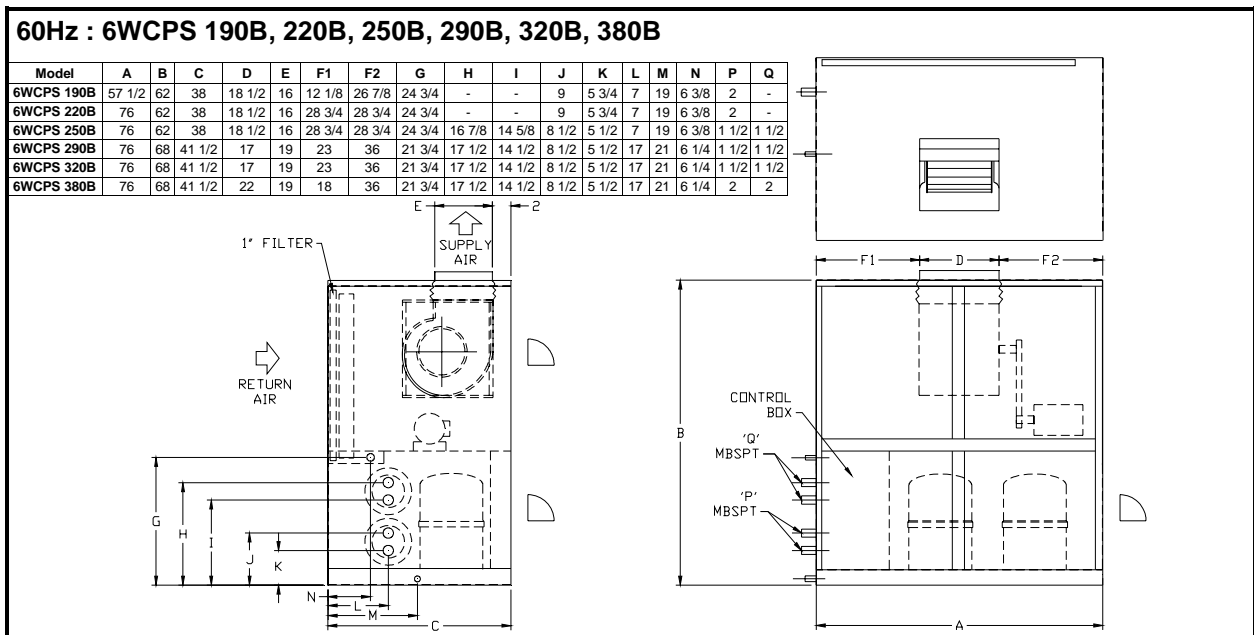
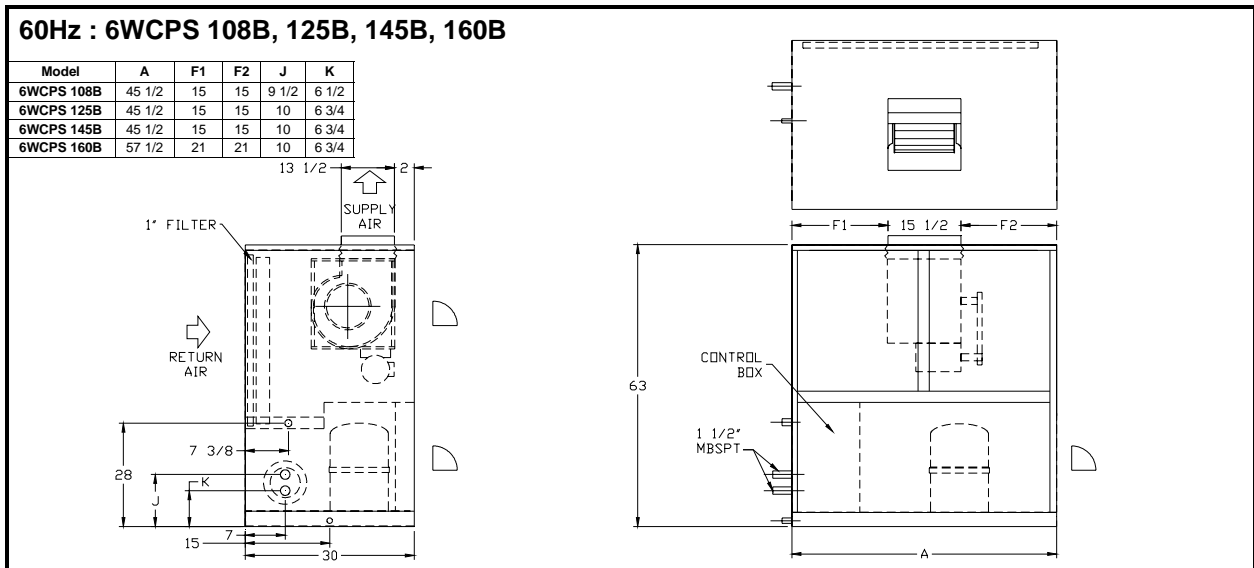
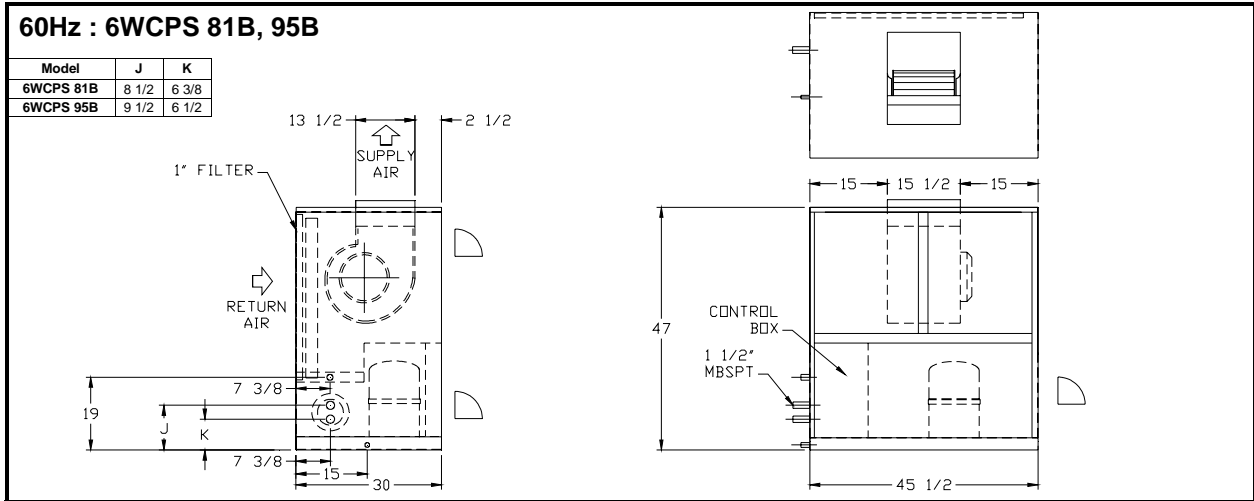
Note: For access to internal components

- 1.) Unscrew bolts at return air grille, remove grille and access to filters and coil.
- 2.) Unscrew bolts for blower section panel, push panel up and remove panel for access to blower and drive assembly.
- 3.) Unscrew bolts for bottom panel, push panel up and access to compressor(s), condenser(s) and controls.
- 4.) Add 10" to the unit's height if autotransformer were required.



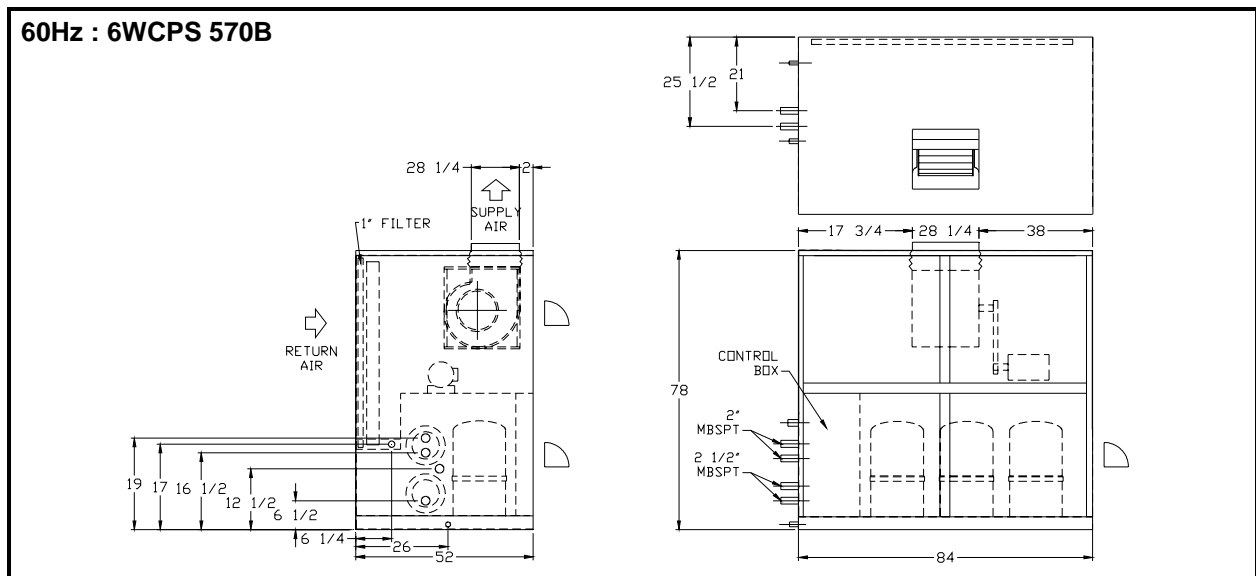
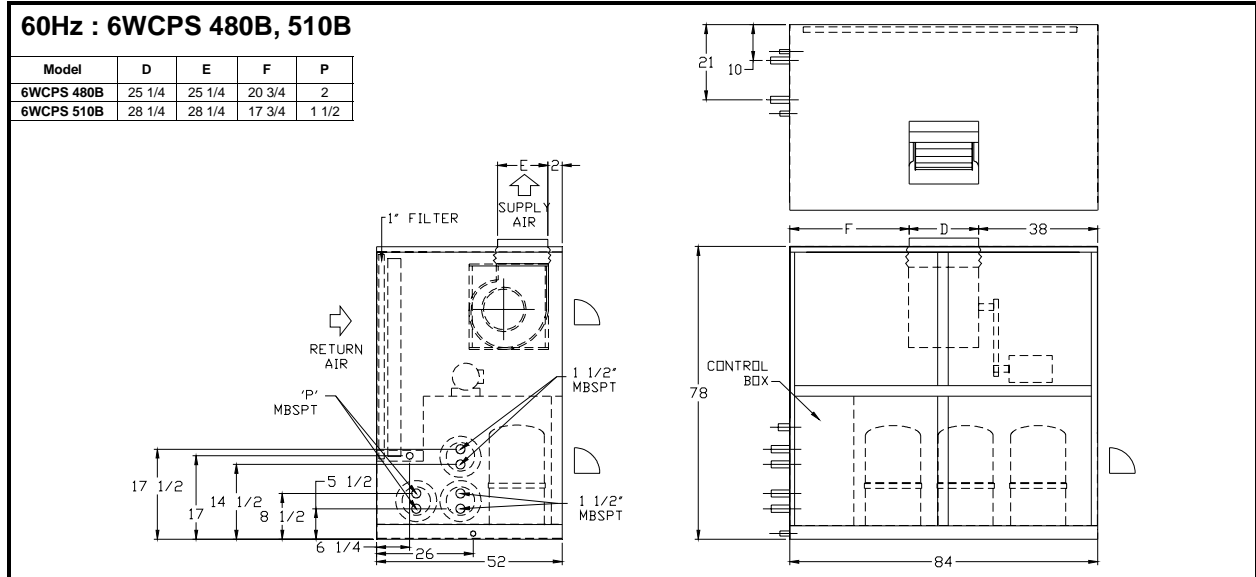
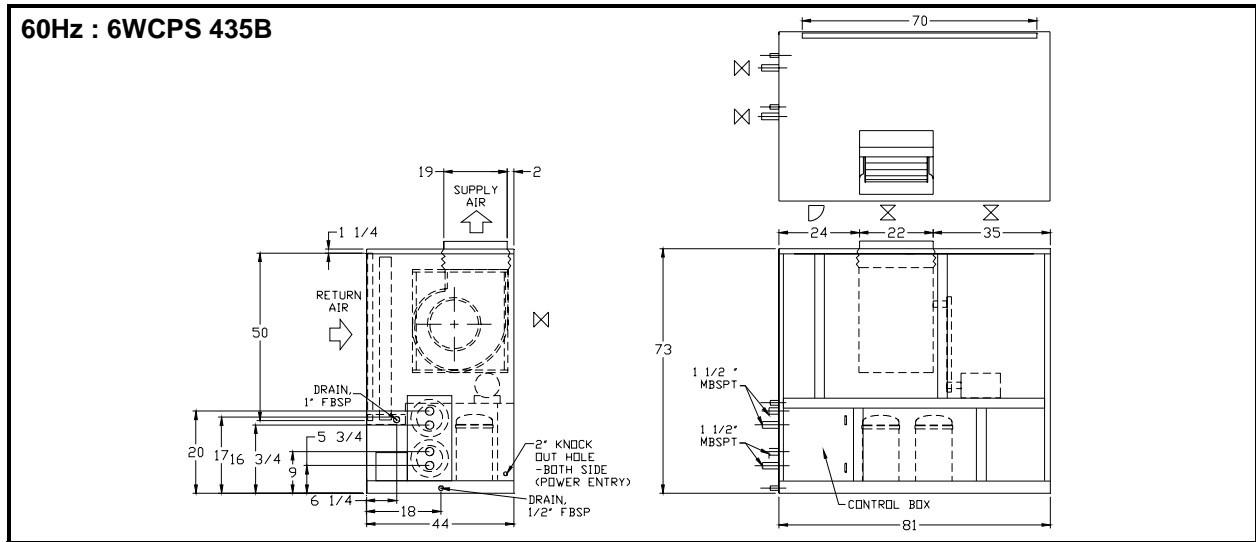
Note: All dimensions are in inches[mm].

DIMENSIONAL DATA



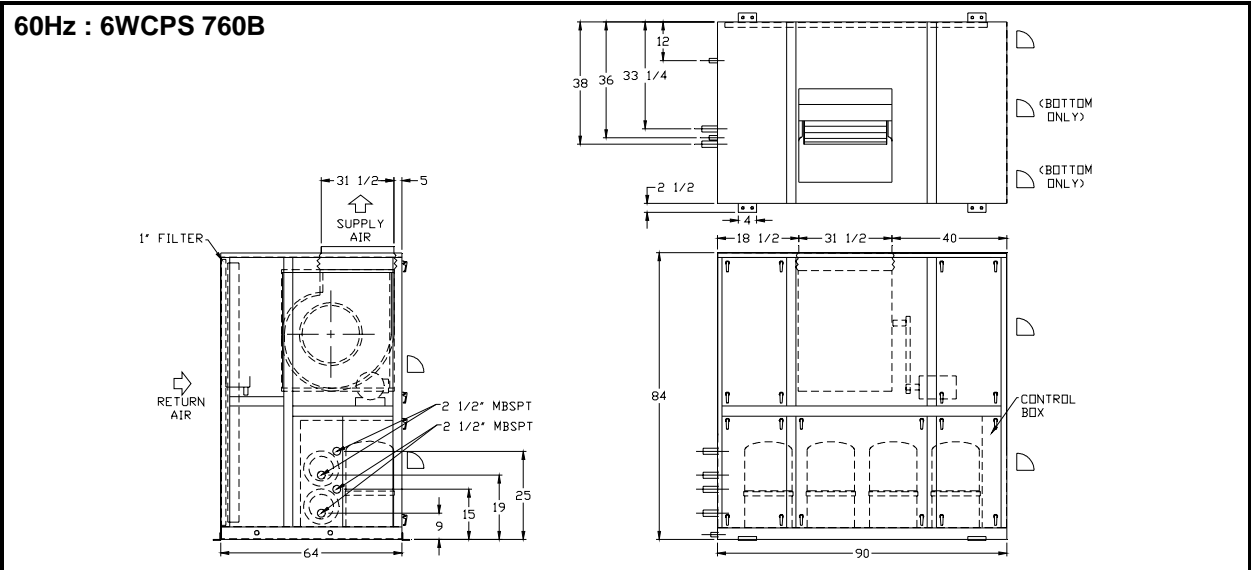
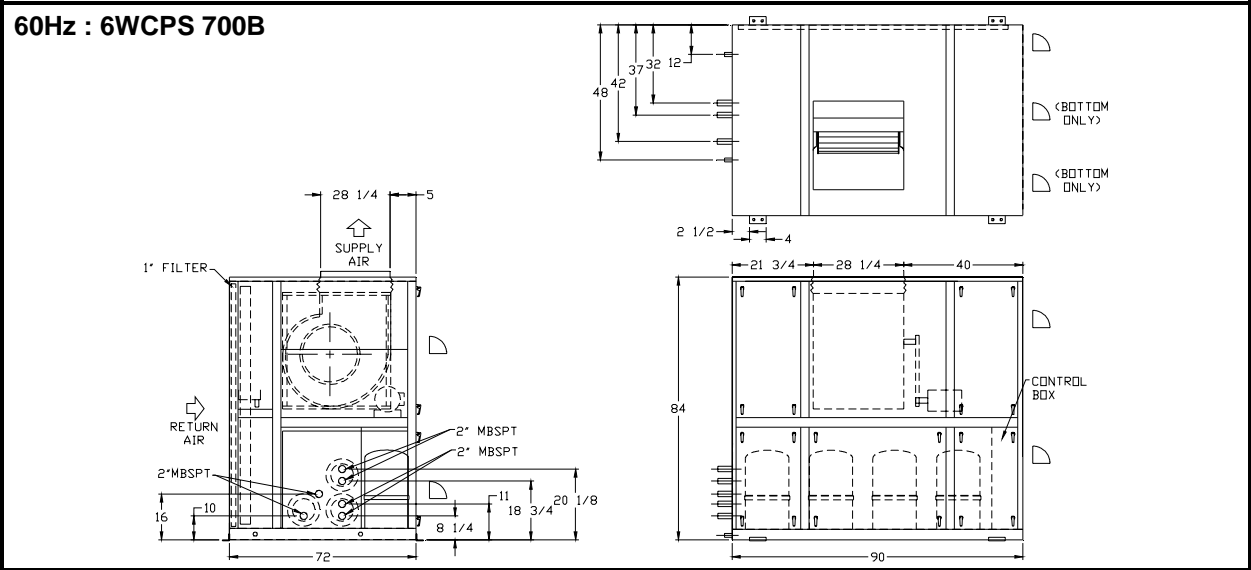
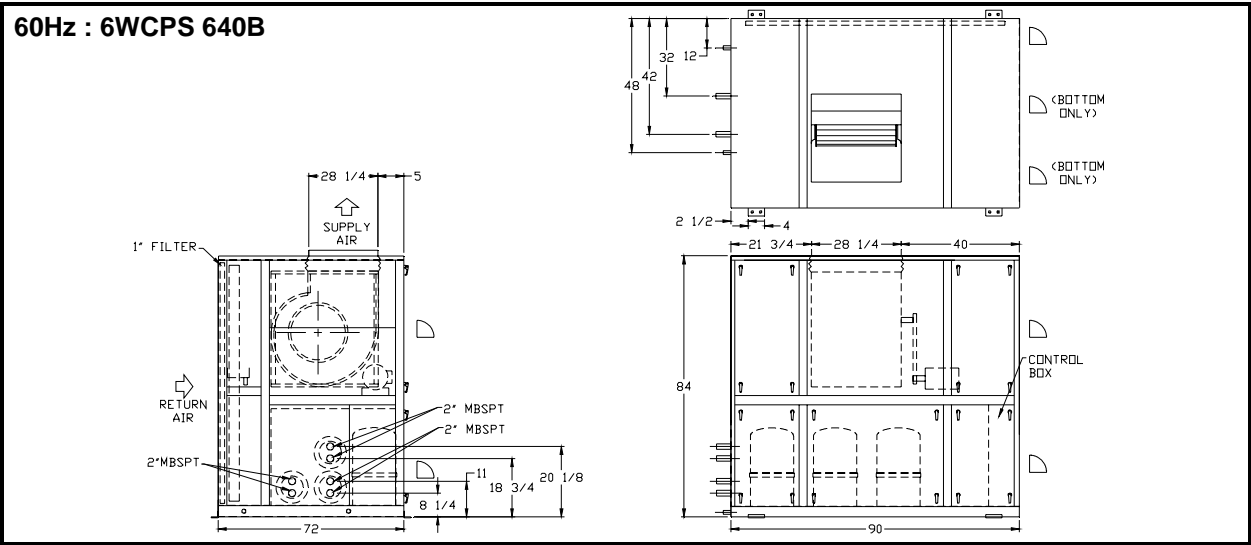
Note: All dimensional are in inches.

DIMENSIONAL DATA



Note: All dimensional are in inches.

DIMENSIONAL DATA

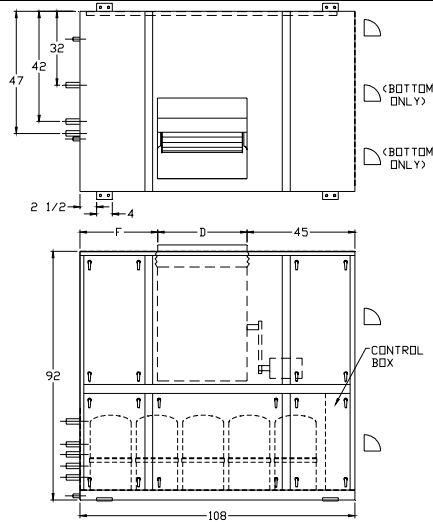
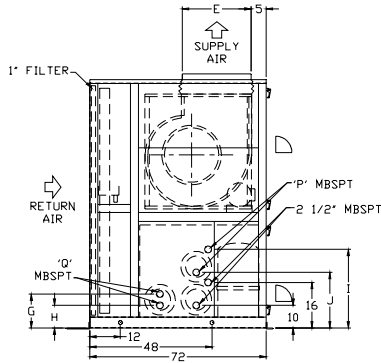


Note: All dimensional are in inches.

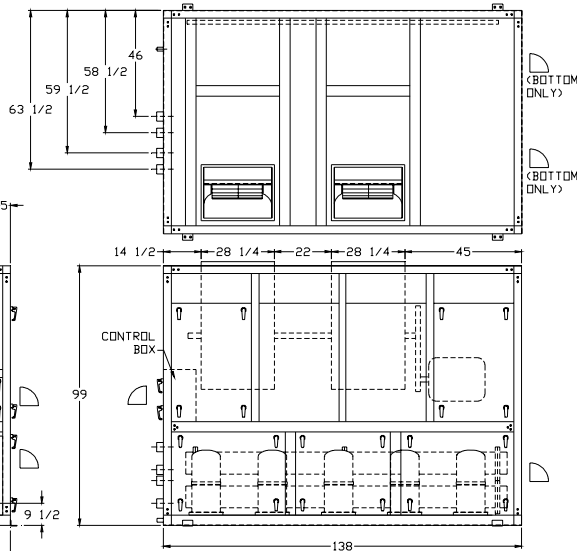
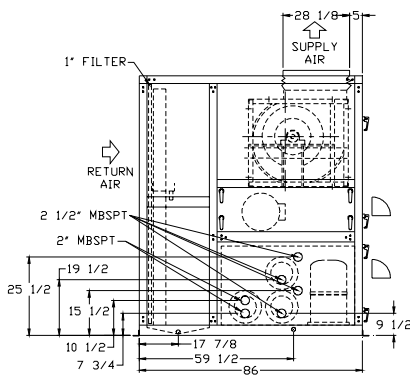
DIMENSIONAL DATA

60Hz : 6WCPS 800B, 860B, 950B

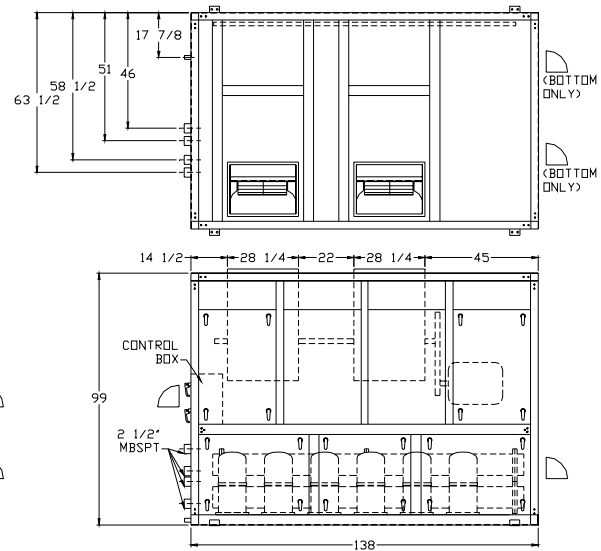
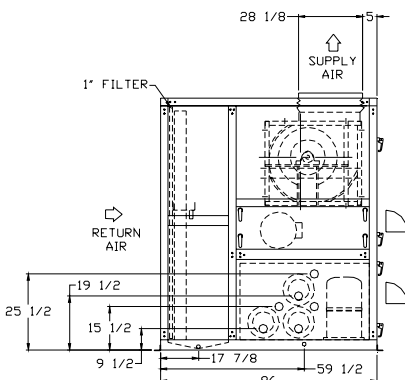
Model	D	E	F	G	H	I	J	P	Q
6WCPS 800B	31 1/2	31 1/2	31 1/2	11	8 1/4	22 1/8	19 3/8	2	2
6WCPS 860B	35 1/2	35 1/2	27 1/2	11	8 1/4	22 1/8	19 3/8	2	2
6WCPS 950B	35 1/2	35 1/2	27 1/2	11 1/4	9	26	20	2 1/2	1 1/2



60Hz : 6WCPS 1140B

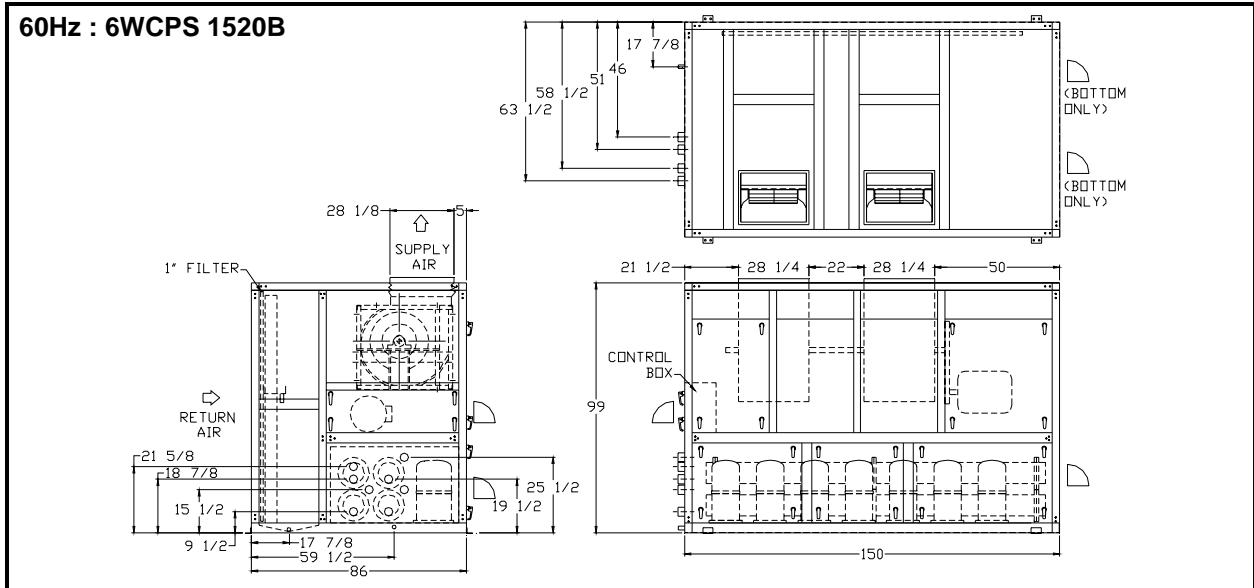


60Hz : 6WCPS 1340B



Note: All dimensional are in inches.

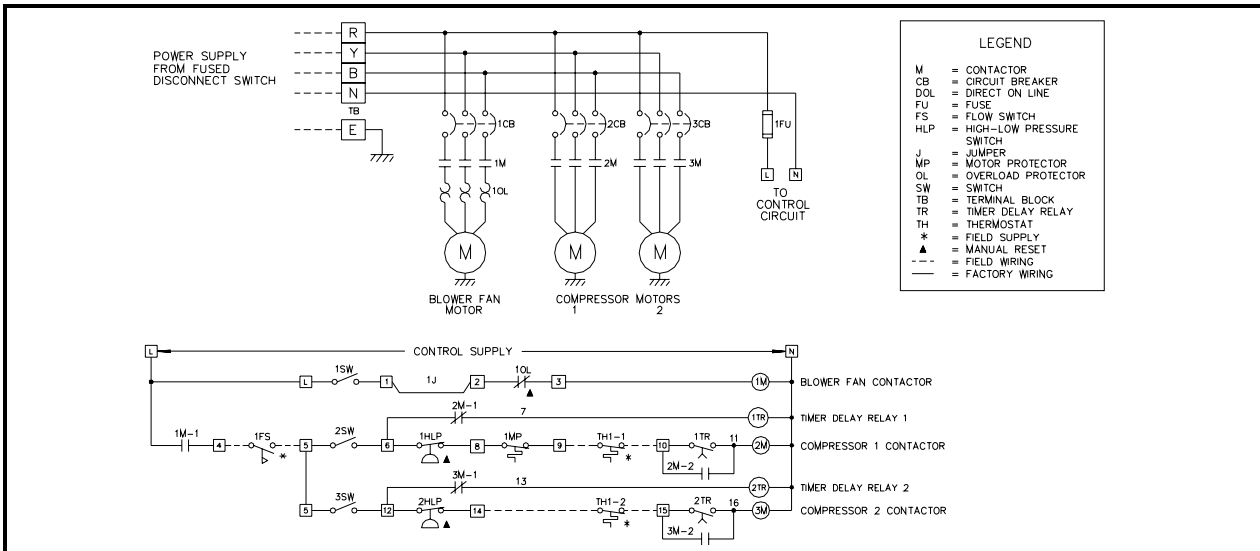
DIMENSIONAL DATA



Note: All dimensional are in inches.

ELECTRICAL

TYPICAL WIRING DIAGRAM



CORRECTION FACTORS

To correct for variation in air flow, use this multiplier

Air Flow Variation	Total Capacity	Sensible Capacity
0.8	0.960	0.900
0.9	0.980	0.950
1.0	1.000	1.000
1.1	1.015	1.045
1.2	1.025	1.090

To correct for altitude, use this multiplier

Altitude Above Sea Level - Ft	Cooling Capacity
0	1.00
2000	0.98
3000	0.97
4000	0.96
5000	0.95
6000	0.93
7000	0.92

To correct sensible capacity for varying dry bulb

Dry Bulb	Wet Bulb			
	57	62	67	72
75	0.84	0.81	0.78	0.74
80	1.00	1.00	1.00	1.00
85	1.16	1.18	1.21	1.26

Note: If The Capacity After Multiplying The Sensible With The Correction Factor Exceed The Total Capacity, Then The Sensible Must Be Equal To The Total.



Malaysia

Lot 5755-6,
Kidamai Industrial Park,
Bukit Angkat,
43000 Kajang,
Selangor, Malaysia

Tel: +603-8924 9000
Fax: +603-8739 5020

China

No. 1 Dunham-Bush Road,
Laishan District,
Yantai,
Shandong Province,
China 264003

Tel: +86-535-739 7888
Fax: +86-535-739 7999

United Kingdom

8 Downley Road,
Havant,
Hampshire,
England PO9 2JD

Tel : +44-23-9247 7700
Fax: +44-23-9245 0396

United States of America

1800 SE 38th Avenue,
Homestead,
Florida 33035
United States of America

Tel: +1(786)-800 9999
Fax: +1(786)-527 3539

United Arab Emirates

Office # 2606,
Fortune Executive Towers,
Cluster T1, Jumeirah Lake Tower
Dubai, UAE

Tel: +971-4-443 9207
Fax: +971-4-443 9208

South Africa

No. 57 Sovereign Drive
Route 21 Corporate Park
Irene, Pretoria
South Africa

Tel: +27-12-345 4202
Fax: +27-12-345 4203

India

957D, 9th Floor, Tower B-1,
Spaze i-Tech Park, Sohna Road,
Sector-49, Gurugram,
Haryana-122018, India

Tel: +91-124-414 4430

Indonesia

The Boulevard Office,
3F2 Jl. Fachrudin No.5,
Kp. Bali, Tanah Abang
Jakarta Pusat - 10250, Indonesia

Tel: +62-21-2123 1392

Thailand

48/39 Soi Praditmanutham 19
Praditmanutham Road,
Lat Pharo, Bangkok 10230
Thailand

Tel: +66-0-2610 3749
Fax: +66-0-2610 3601

Singapore

2 Kallang Pudding Road
#07-07 Mactech Building
Singapore 349307

Tel: +65-6842 2012
Fax: +65-6842 2013

Vietnam

10th Floor, Nam A Bank Tower,
201-203 Cach Mang Thang 8 Street,
District 3, Ho Chi Minh City,
Vietnam

Tel: +84-8-6290 3108
Fax: +84-8-6290 3109

DUNHAM-BUSH®

info@dunham-bush.com
www.dunham-bush.com



Products that perform...By people who care

Manufacturer reserves the right to change specifications without prior notice.

M-S-0232B-0320